

Drums

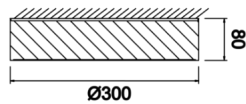


Surface Mounted Luminaire

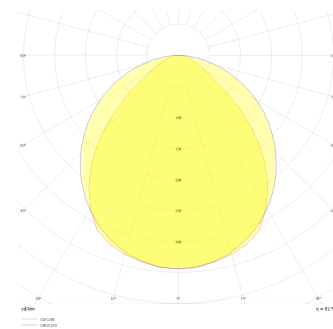


Luminaire Group	Surface Mounted
Mounting Type	Surface Mounted
Luminaire Color	RAL 9005 - RAL 9006 - RAL 9010
Housing	Aluminum Extrusion
Optics	Opal Diffuser
Light Source	LED
Electrical Protection Class	CLASS II
IP	40
IK	02
Operating Temperature	-20°C / +40°C
Luminous Flux	13095 lm / 16320 lm / 4370 lm / 6195 lm
Consumption Power	120 W / 40 W / 51 W / 96 W
Luminaire Efficiency	124,5 lm/W
Color Rendering (CRI)	>80
Light Color Temperature (CCT)	2700K/3000K/4000K/6500K
Color Tolerance	< 3 SDCM
Driver Type	On/Off
Driver Brand	Tridonic
LED Brand	Samsung
Input Voltage / Frequency	220-240 V AC 50/60 Hz
Power Factor	>0.9
Surge	1kV
THD (AKIM)	>%20
LED life	>50.000 hours
Option	On-Off / Dali / 1-10V / With Emergency Kit

Technical Drawing



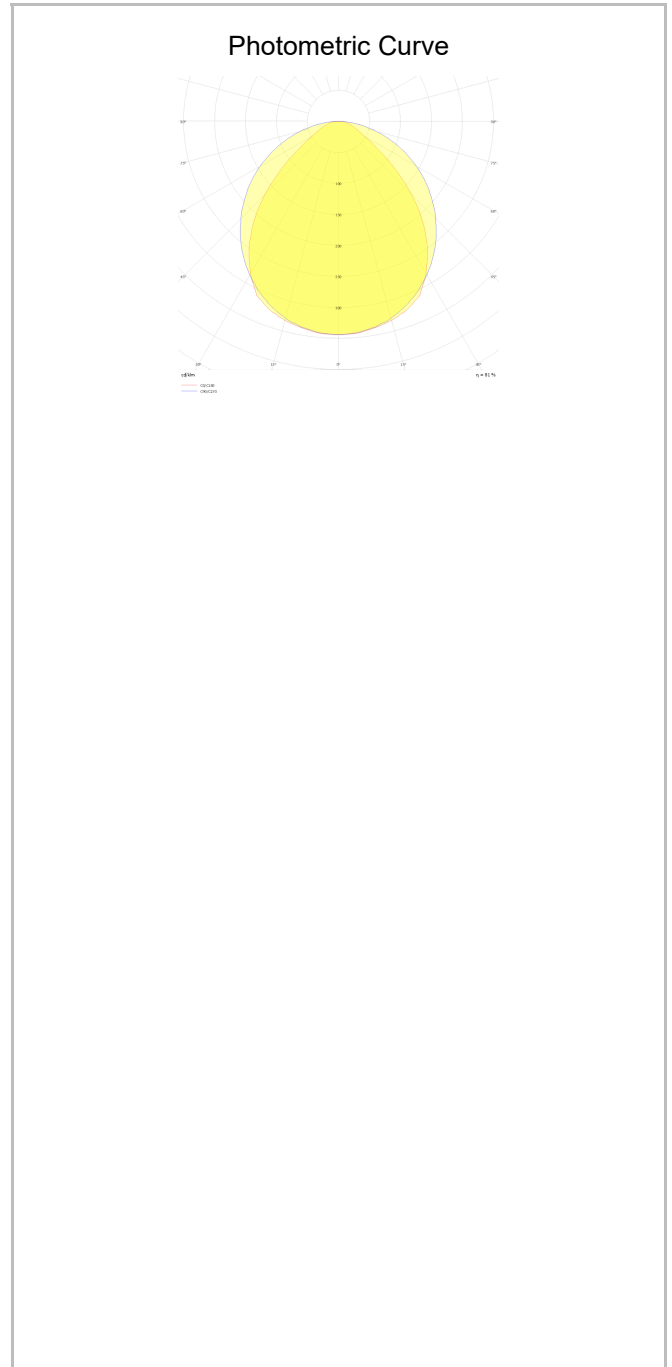
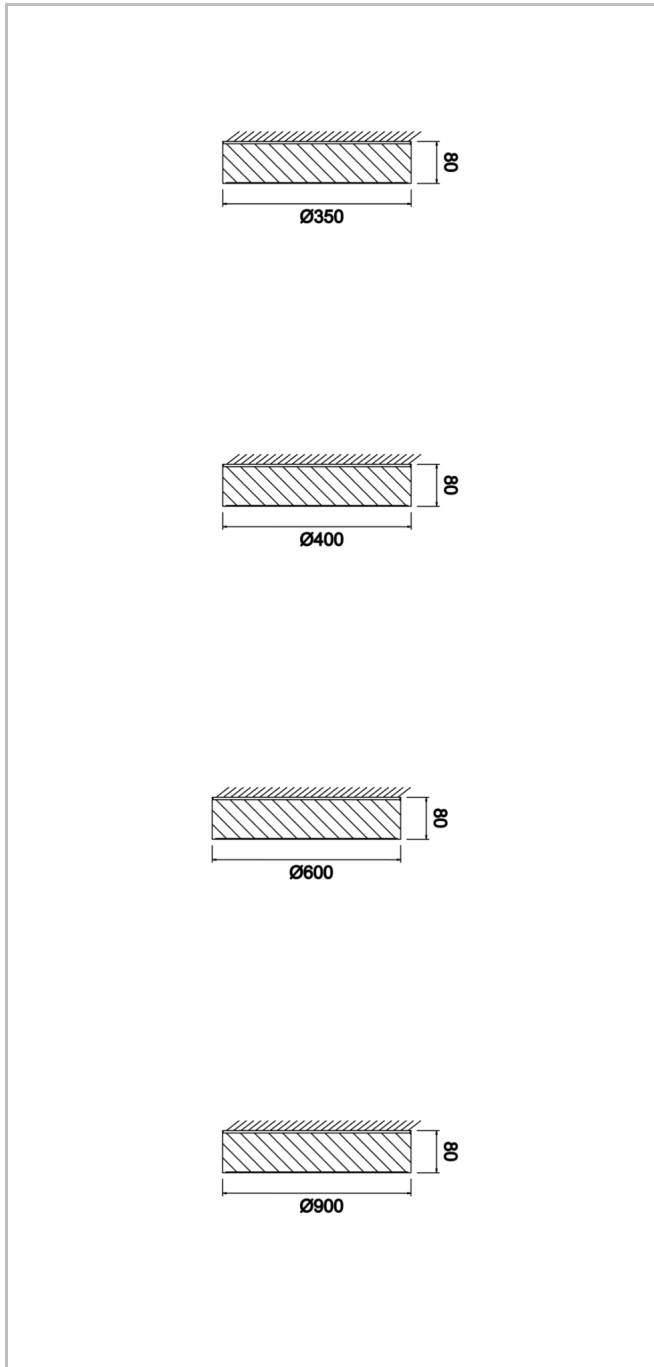
Photometric Curve



Drums



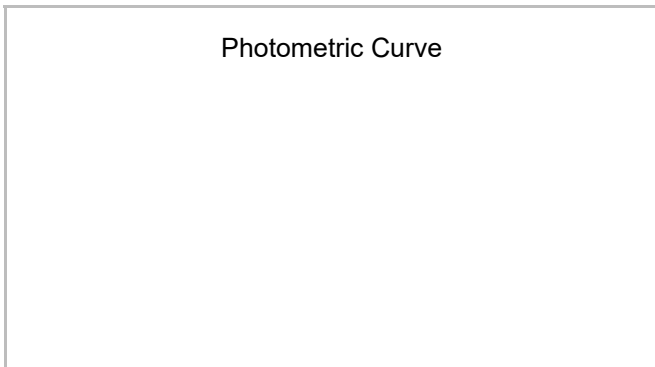
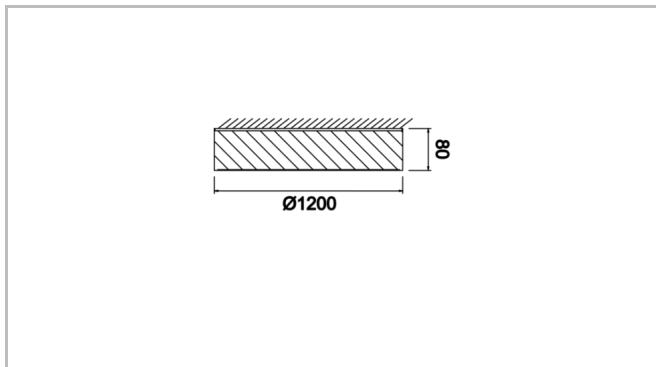
Surface Mounted Luminary



Drums



Surface Mounted Luminary



SKU	Product Code	Power (W)	Luminous Flux (LM)	CRI	CCT (K)	Optics	Dimensions (mm)
	DRM 040 008 040S 8040 10 99 OP 40 00	40	4370	>80	4000	120° Opal Diffuser	Ø50
	DRM 060 008 051S 8040 26 99 OP 40 00	51	6195	>80	4000	120° Opal Diffuser	Ø60
	DRM 090 008 96S 8040 26 99 OP 40 00	96	13095	>80	4000	120° Opal Diffuser	Ø90
	DRM 120 008 120S 8040 10 99 OP 40 00	120	16320	>80	4000	120° Opal Diffuser	Ø120