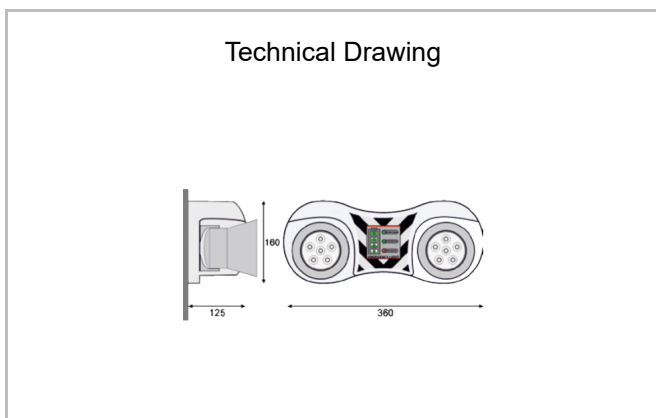




<b>Luminaire Group</b>	Emergency and Routing
<b>Mounting Type</b>	Surface Mounted
<b>Housing</b>	ABS Body
<b>Optics</b>	Movable Body
<b>Light Source</b>	Led Bulb with 45° Lens
<b>Electrical Protection Class</b>	CLASS II
<b>IP</b>	40
<b>IK</b>	02
<b>Operating Temperature</b>	-10°C / +45°C
<b>Luminous Flux</b>	1100 lm
<b>Consumption Power</b>	3 W
<b>Luminaire Efficiency</b>	91,5 lm/W
<b>Color Rendering (CRI)</b>	>80
<b>Light Color Temperature (CCT)</b>	6500K
<b>Color Tolerance</b>	< 3 SDCM
<b>Driver Type</b>	On/Off
<b>Input Voltage / Frequency</b>	220-240 V AC 50/60 Hz
<b>Power Factor</b>	>0.9
<b>Surge</b>	1kV
<b>THD (AKIM)</b>	>%20
<b>LED life</b>	>50.000 hours
<b>Option</b>	3 Hours - 5 Hours



SKU	Product Code	Power (W)	Luminous Flux (LM)	CRI	CCT (K)	Optics	Dimensions (mm)
	TRL 036 012 012A 8065 13 45 LN 65 00 3S	3	1100	>80	4000	45° LED Bulb	268x141x41