

Luma PC

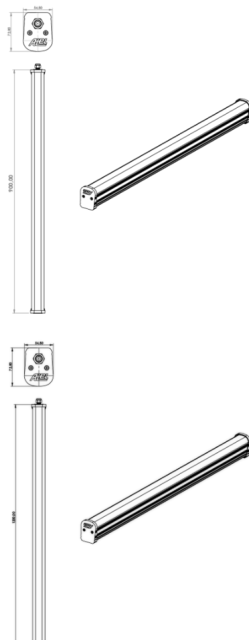


Surface Mounted Industrial Luminary

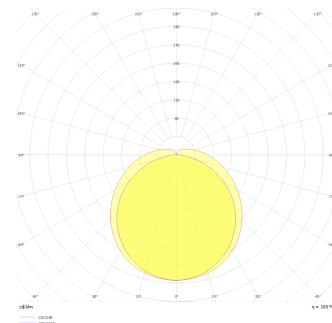


Luminaire Group	Industrial
Mounting Type	Surface Mounted
Housing	Gray Polycarbonate
Optics	Opal Polycarbonate
Light Source	LED
Electrical Protection Class	CLASS II
IP	65
IK	09
Operating Temperature	-20°C / +40°C
Luminous Flux	1920 lm / 2880 lm / 3840 lm / 4800 lm
Consumption Power	16 W / 24 W / 32 W / 40 W
Luminaire Efficiency	123 lm/W
Color Rendering (CRI)	>80
Light Color Temperature (CCT)	2700K / 3000K / 4000K / 6500K
Color Tolerance	< 3 SDCM
Driver Type	On/Off
Driver Brand	Tridonic
LED Brand	Samsung
Input Voltage / Frequency	220-240 V AC 50/60 Hz
Power Factor	>0.9
Surge	1kV
THD (AKIM)	>%20
LED life	70.000 hours
Option	On-Off / Dali / 1-10V / With Emergency Kit

Technical Drawing



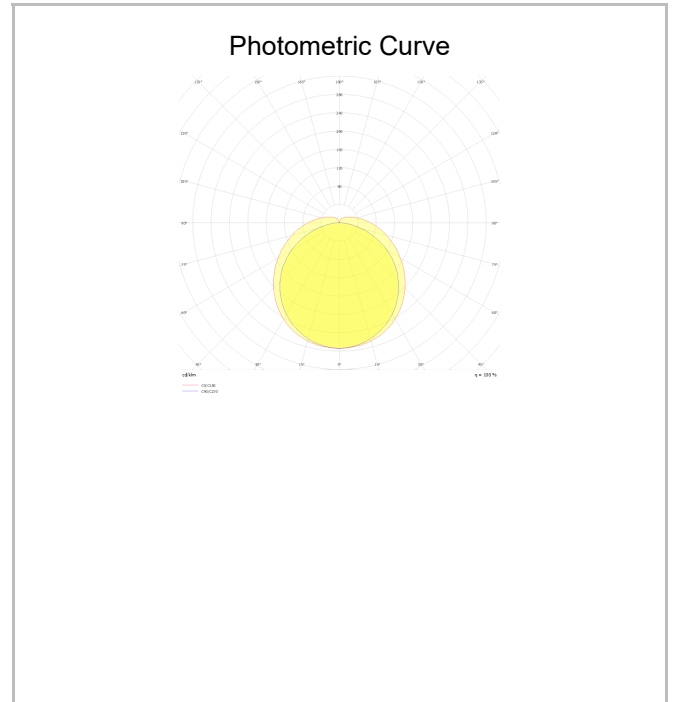
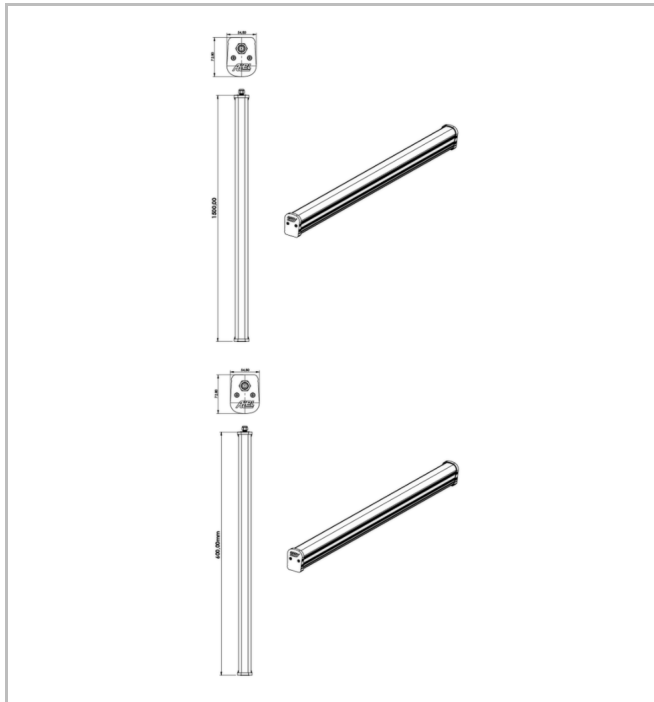
Photometric Curve



Luma PC



Surface Mounted Industrial Luminary



SKU	Product Code	Power (W)	Luminous Flux (LM)	CRI	CCT (K)	Optics	Dimensions (mm)
	LMP 007 060 016S 8040 10 99 OP 65 00	16	1920	>80	4000	120° Polycarbonate	55x72x600
	LMP 007 090 024S 8040 10 99 OP 65 00	24	2880	>80	4000	120° Polycarbonate	55x72x900
	LMP 007 120 032S 8040 10 99 OP 65 00	32	3840	>80	4000	120° Polycarbonate	55x72x1200
	LMP 007 150 040S 8040 10 99 OP 65 00	40	4800	>80	4000	120° Polycarbonate	55x72x1500