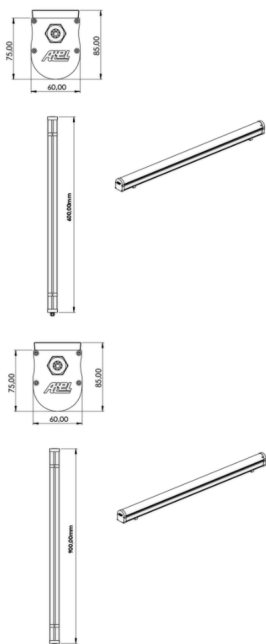


## Surface Mounted Industrial Luminaire

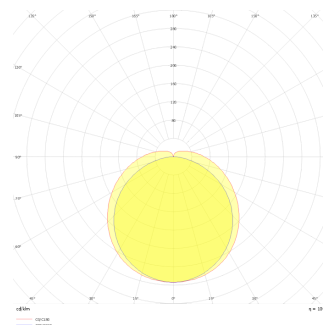


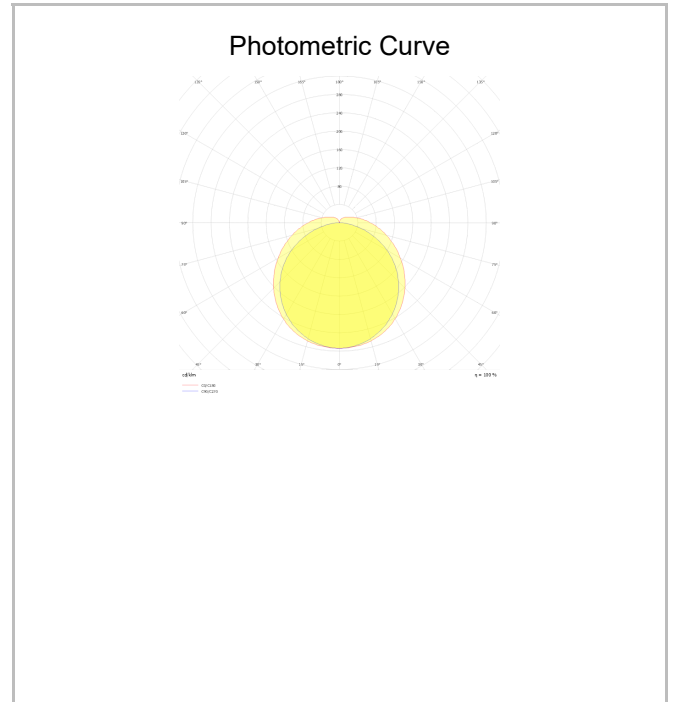
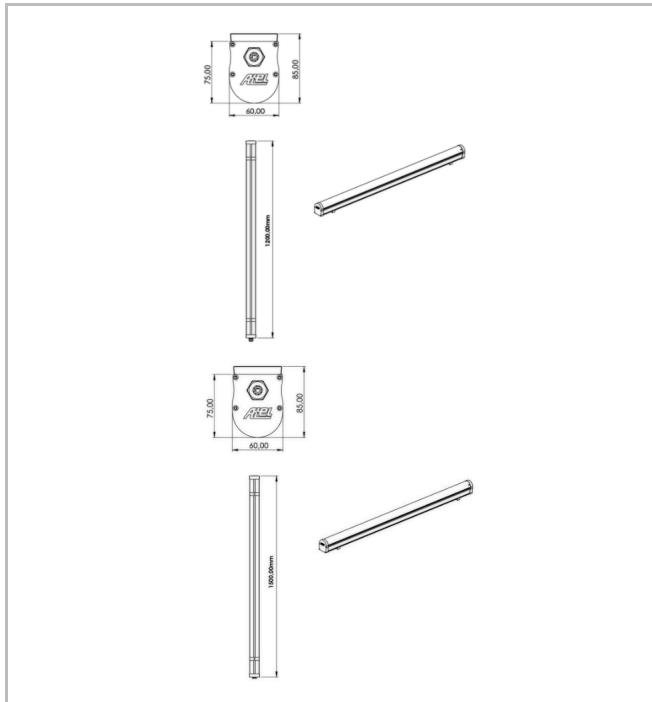
<b>Luminaire Group</b>	Industrial
<b>Mounting Type</b>	Surface Mounted
<b>Housing</b>	Aluminum Anodized Coating
<b>Optics</b>	Opal PC Diffuser
<b>Light Source</b>	LED
<b>Electrical Protection Class</b>	CLASS II
<b>IP</b>	65
<b>IK</b>	09
<b>Operating Temperature</b>	-20°C / +40°C
<b>Luminous Flux</b>	2214 lm / 3444 lm / 4551 lm / 5658 lm / 7986 lm
<b>Consumption Power</b>	18 W / 28 W / 37 W / 46 W / 66 W
<b>Luminaire Efficiency</b>	123 lm/W
<b>Color Rendering (CRI)</b>	>80
<b>Light Color Temperature (CCT)</b>	2700K / 3000K / 4000K / 6500K
<b>Color Tolerance</b>	< 3 SDCM
<b>Driver Type</b>	On/Off
<b>Driver Brand</b>	Tridonic
<b>LED Brand</b>	Samsung
<b>Input Voltage / Frequency</b>	220-240 V AC 50/60 Hz
<b>Power Factor</b>	>0.9
<b>Surge</b>	1kV
<b>THD (AKIM)</b>	>%20
<b>LED life</b>	70.000 hours
<b>Option</b>	On-Off / Dali / 1-10V / With Emergency Kit

Technical Drawing



Photometric Curve





SKU	Product Code	Power (W)	Luminous Flux (LM)	CRI	CCT (K)	Optics	Dimensions (mm)
	LMA 005 060 018S 8040 10 99 OP 65 00	18	2214	>80	4000	120° Opal PC Diffuser	84x75x600
	LMA 005 090 028S 8040 10 99 OP 65 00	28	3444	>80	4000	120° Opal PC Diffuser	84x75x900
	LMA 005 120 037S 8040 10 99 OP 65 00	37	4551	>80	4000	120° Opal PC Diffuser	84x75x1200
	LMA 005 150 046S 8040 10 99 OP 65 00	46	5658	>80	4000	120° Opal PC Diffuser	84x75x1500
	LMA 005 150 066S 8040 10 99 OP 65 00	66	7986	>80	4000	120° Opal PC Diffuser	84x75x1500