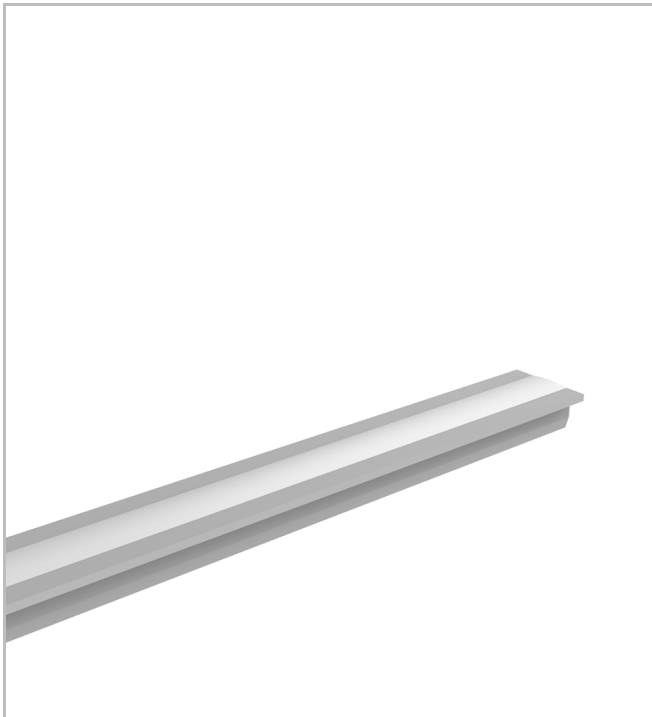


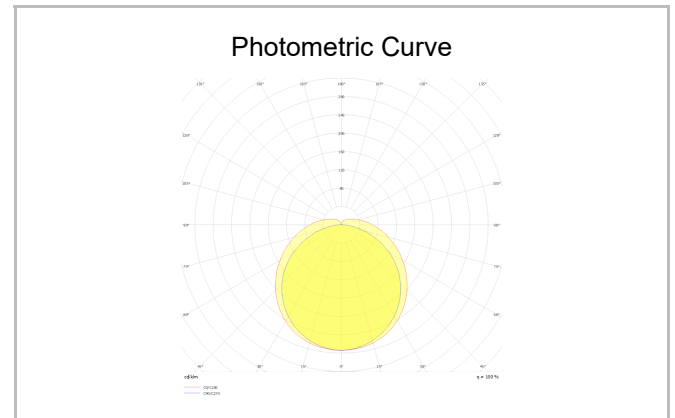
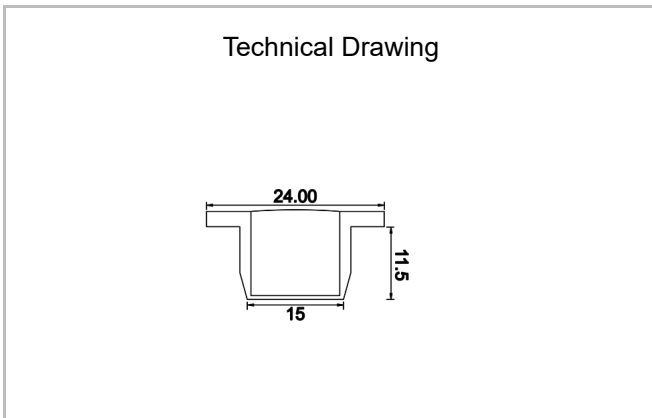
Hidline R



Recessed Cove Lighting Luminaire



Luminaire Group	Cove Lighting
Mounting Type	Recessed
Housing	Aluminum Profile
Optics	Diffuser
Light Source	LED
Electrical Protection Class	CLASS II
IP	20
IK	03
Operating Temperature	-20°C / +40°C
Luminous Flux	960 lm
Consumption Power	12 W
Luminaire Efficiency	80 lm/W
Color Rendering (CRI)	>80
Light Color Temperature (CCT)	2700K/3000K/4000K/6500K
Color Tolerance	< 3 SDCM
Driver Type	On/Off
Driver Brand	Tridonic
LED Brand	Samsung
Input Voltage / Frequency	220-240 V AC 50/60 Hz
Power Factor	>0.9
Surge	1kV
THD (AKIM)	>%20
LED life	>70.000 hours
Option	On-Off / Dali / 1-10V / With Emergency Kit



SKU	Product Code	Power (W)	Luminous Flux (LM)	CRI	CCT (K)	Optics	Dimensions (mm)
12300005	HID 024 100 012A 8040 10 99 OP 24 00	12	960	>80	4000	130° Diffuser	1000x24x11,5