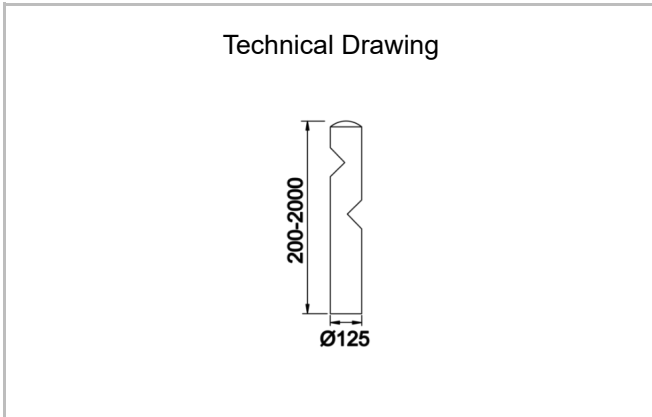




Luminaire Group	Park & Garden
Mounting Type	Concrete
Luminaire Color	RAL 9006 - RAL 9005 - RAL 9010
Housing	Dkp Sheet
Optics	PMMA Lens
Light Source	LED
Electrical Protection Class	CLASS II
IP	66
IK	09
Operating Temperature	-20°C / +40°C
Luminous Flux	1040 lm
Consumption Power	8 W
Luminaire Efficiency	130 lm/W
Color Rendering (CRI)	>80
Light Color Temperature (CCT)	2700K/3000K/4000K/6500K
Color Tolerance	< 3 SDCM
Driver Type	On/Off
Driver Brand	Tridonic
LED Brand	Samsung
Input Voltage / Frequency	220-240 V AC 50/60 Hz
Power Factor	>0.9
Surge	1kV
THD (AKIM)	>%20
LED life	>70.000 hours
Option	On-Off / Dali / 1-10V



SKU	Product Code	Power (W)	Luminous Flux (LM)	CRI	CCT (K)	Optics	Dimensions (mm)
	DAS 125 050 008S 8040 10 90 LN 66 00	8	1040	>80	4000	90° Diffuser	Ø125x500
	DAS 125 080 008S 8040 10 90 LN 66 00	8	1040	>80	4000	90° Diffuser	Ø125x800
	DAS 125 100 008S 8040 10 90 LN 66 00	8	1040	>80	4000	90° Diffuser	Ø125x1000