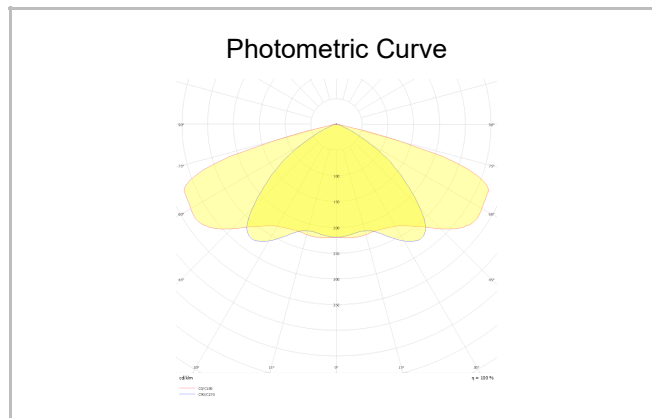
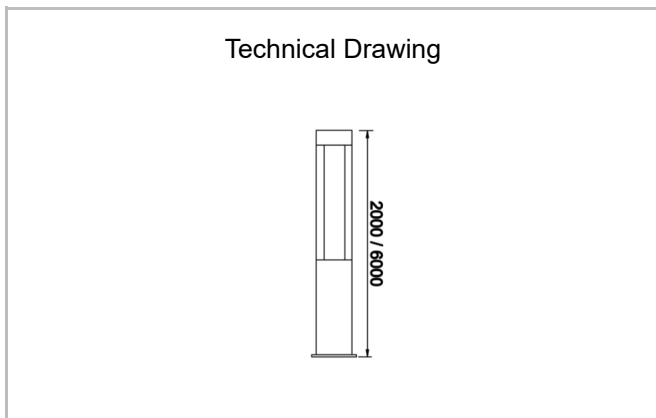


| | |
|--------------------------------------|--------------------------------|
| Luminaire Group | Park & Garden |
| Mounting Type | Concrete |
| Luminaire Color | RAL 9006 - RAL 9005 - RAL 9010 |
| Housing | Aluminum Extrusion |
| Optics | Reflector |
| Light Source | LED |
| Electrical Protection Class | CLASS II |
| IP | 66 |
| IK | 08 |
| Operating Temperature | -20°C / +40°C |
| Luminous Flux | 4200 lm / 7800 lm |
| Consumption Power | 30 W / 60 W |
| Luminaire Efficiency | 140 lm/W |
| Color Rendering (CRI) | >80 |
| Light Color Temperature (CCT) | 2700K/3000K/4000K/6500K |
| Color Tolerance | < 3 SDCM |
| Driver Type | On/Off |
| Driver Brand | Tridonic |
| LED Brand | Samsung |
| Input Voltage / Frequency | 220-240 V AC 50/60 Hz |
| Power Factor | >0.9 |
| Surge | 1kV |
| THD (AKIM) | >%20 |
| LED life | >70.000 hours |
| Option | On-Off / Dali / 1-10V |



| SKU | Product Code | Power (W) | Luminous Flux (LM) | CRI | CCT (K) | Optics | Dimensions (mm) |
|-----|--|-----------|--------------------|-----|---------|---------------|-----------------|
| | TRİ 2000 2000 030M 8040 10 30 AS 66 00 | 30 | 4200 | >80 | 4000 | AS° Reflector | 2000 |
| | TRİ 2000 2000 060M 8040 10 30 AS 66 00 | 60 | 7800 | >80 | 4000 | AS° Reflector | 2000 |