

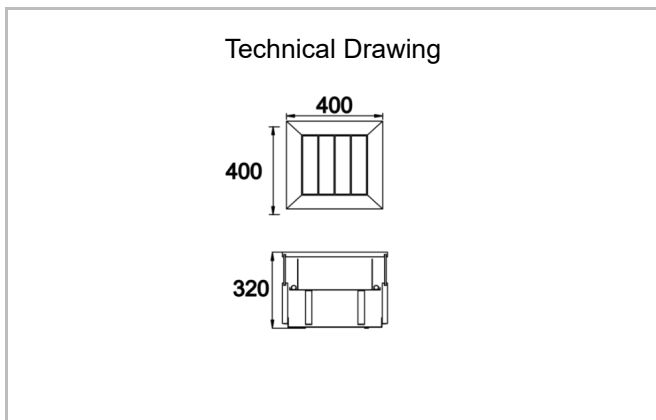
Tigger



Concrete Park & Garden Luminary



Luminaire Group	Park & Garden
Mounting Type	Concrete
Luminary Color	Wood
Housing	Indian Tree
Optics	Diffuser
Light Source	LED
Electrical Protection Class	CLASS II
IP	65
IK	02
Operating Temperature	-20°C / +40°C
Luminous Flux	620 lm
Consumption Power	15 W
Luminaire Efficiency	41,5 lm/W
Color Rendering (CRI)	>80
Light Color Temperature (CCT)	2700K/3000K/4000K/6500K
Color Tolerance	< 3 SDCM
Driver Type	On/Off
Driver Brand	Tridonic
LED Brand	Samsung
Input Voltage / Frequency	220-240 V AC 50/60 Hz
Power Factor	>0.9
Surge	1kV
THD (AKIM)	>%20
LED life	>70.000 hours
Option	On-Off / Dali / 1-10V



SKU	Product Code	Power (W)	Luminous Flux (LM)	CRI	CCT (K)	Optics	Dimensions (mm)
74000063	TIG 040 032 015Y 8030 10 99 OP 65 00	15	620	>80	4000	360° Opal Diffuser	400x400x320