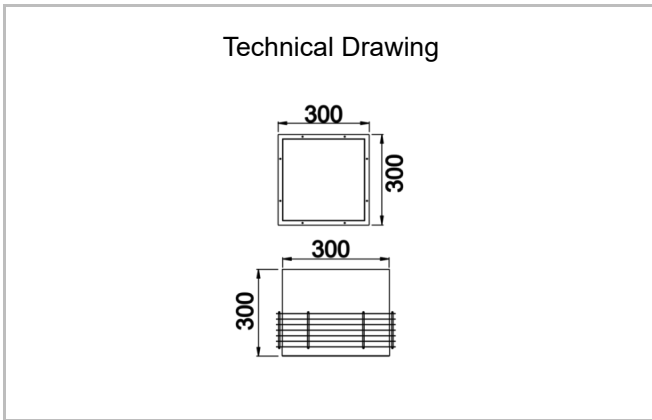


Luminaire Group	Park & Garden
Mounting Type	Concrete
Housing	Dkp Sheet
Optics	Akrilik Difüzör
Light Source	LED
Electrical Protection Class	CLASS II
IP	65
IK	02
Operating Temperature	-20°C / +40°C
Luminous Flux	480 lm / 720 lm
Consumption Power	10 W / 15 W
Luminaire Efficiency	48 lm/W
Color Rendering (CRI)	>80
Light Color Temperature (CCT)	2700K/3000K/4000K/6500K
Color Tolerance	< 3 SDCM
Driver Type	On/Off
Driver Brand	Tridonic
LED Brand	Samsung
Input Voltage / Frequency	220-240 V AC 50/60 Hz
Power Factor	>0.9
Surge	1kV
THD (AKIM)	>%20
LED life	>70.000 hours
Option	On-Off / Dali / 1-10V



SKU	Product Code	Power (W)	Luminous Flux (LM)	CRI	CCT (K)	Optics	Dimensions (mm)
74000069	OVE 030 030 010Y 8030 10 99 OP 65 00	10	480	>80	4000	360° Opal Diffuser	300x300x300
74000075	OVE 030 030 010Y 8030 10 99 OP 65 00 (1)	15	720	>80	4000	360° Opal Diffuser	400x400x320