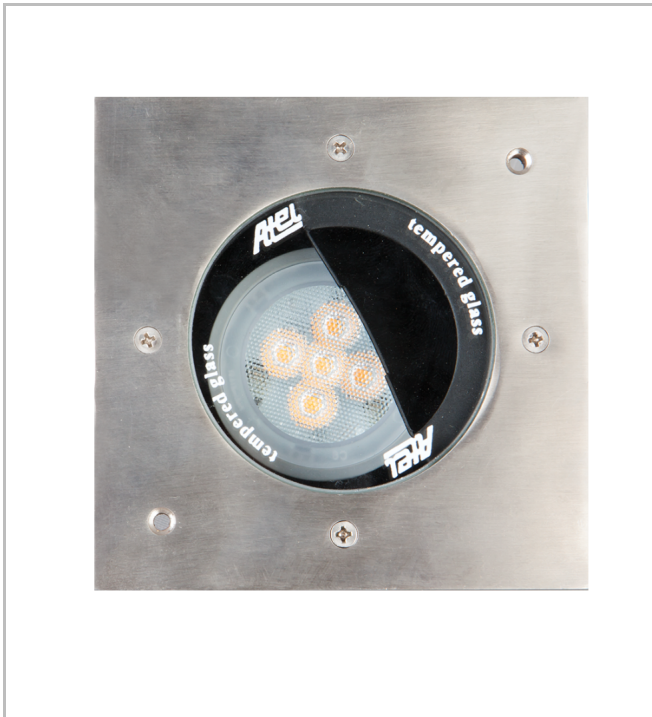
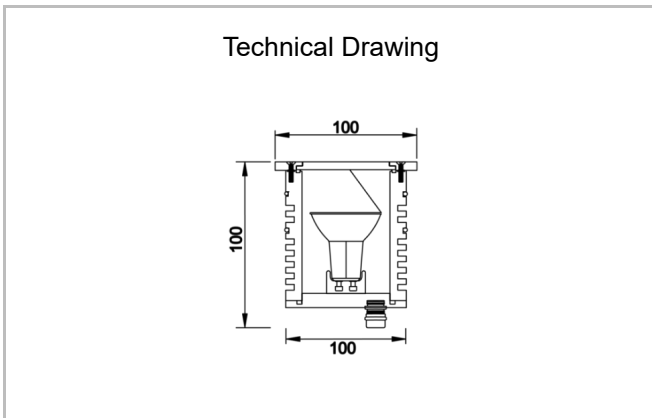


In-Floor Recessed Facade & Landscape Luminary



Luminaire Group	Facade & Landscape
Mounting Type	In-Floor Recessed
Luminary Color	RAL 9005 - RAL 9006 - RAL 9010
Housing	Aluminum Body Stainless Steel Frame Tempered Glass
Optics	GU10 Led Bulb & 36° Reflector
Light Source	LED
Electrical Protection Class	CLASS II
IP	65
IK	09
Operating Temperature	-20°C / +40°C
Luminous Flux	
Consumption Power	5 W
Color Rendering (CRI)	>80
Light Color Temperature (CCT)	2700K/3000K/4000K/6500K
Color Tolerance	< 3 SDCM
Driver Type	On/Off
Driver Brand	Tridonic
LED Brand	Samsung
Input Voltage / Frequency	220-240 V AC 50/60 Hz
Power Factor	>0.9
Surge	1kV
THD (AKIM)	>%20
Option	On-Off / Dali / 1-10V



SKU	Product Code	Power (W)	Luminous Flux (LM)	CRI	CCT (K)	Optics	Dimensions (mm)
72000039	PLA 010 010 005Z 8030 10 36 AP 65 00	5		>80	4000	36° Reflector	Ø100x100