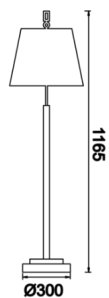
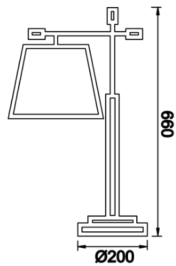


Surface Mounted Floor Lamp and Lampshade Luminary

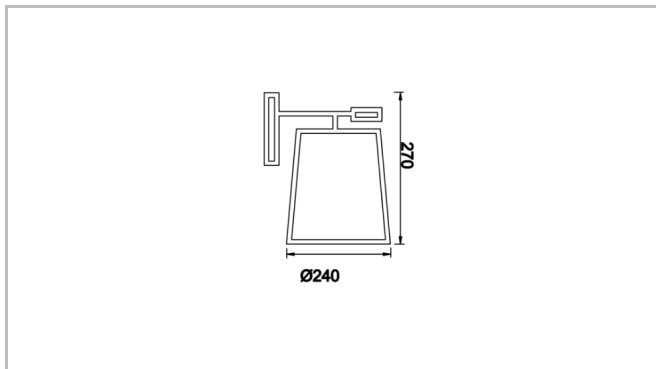


Luminaire Group	Floor Lamp and Lampshade
Mounting Type	Surface Mounted
Luminaire Color	RAL 9005 - RAL 9006 - RAL 9010
Housing	DKP Sheet
Optics	Fabric Over PVC
Light Source	E27
Electrical Protection Class	CLASS II
IP	20
IK	02
Operating Temperature	-20°C / +40°C
Luminous Flux	
Consumption Power	20 W
Color Rendering (CRI)	>80
Light Color Temperature (CCT)	2700K
Color Tolerance	< 3 SDCM
Driver Type	On/Off
Input Voltage / Frequency	220-240 V AC 50/60 Hz
Power Factor	>0.9
Surge	1kV
THD (AKIM)	>%20
Option	On-Off

Technical Drawing



Surface Mounted Floor Lamp and Lampshade Luminary



SKU	Product Code	Power (W)	Luminous Flux (LM)	CRI	CCT (K)	Optics	Dimensions (mm)
	ROB 024 027 020D 8027 10 99 PC 20 00	20		>80	4000	360° E27	Ø240x270
	ROB 024 116 020L 8027 10 99 PC 20 00	20		>80	4000	360° E27	Ø240x1165
	ROB 024 066 020M 8027 10 99 PC 20 00	20		>80	4000	360° E27	Ø240x660