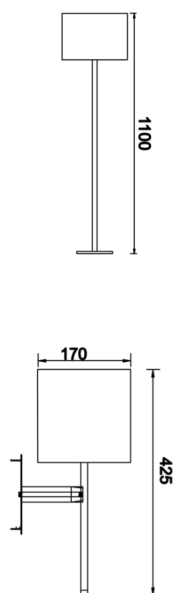




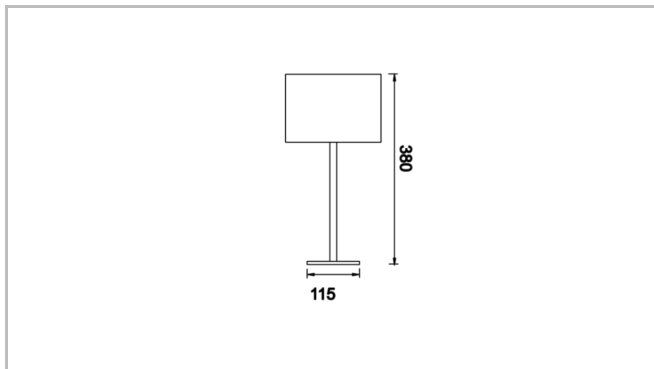
<b>Luminaire Group</b>	Floor Lamp and Lampshade
<b>Mounting Type</b>	Surface Mounted
<b>Luminaire Color</b>	RAL 9005 - RAL 9006 - RAL 9010
<b>Housing</b>	DKP Sheet
<b>Optics</b>	Fabric Over PVC
<b>Light Source</b>	E27
<b>Electrical Protection Class</b>	CLASS II
<b>IP</b>	20
<b>IK</b>	02
<b>Operating Temperature</b>	-20°C / +40°C
<b>Luminous Flux</b>	
<b>Consumption Power</b>	20 W
<b>Color Rendering (CRI)</b>	>80
<b>Light Color Temperature (CCT)</b>	2700K
<b>Color Tolerance</b>	< 3 SDCM
<b>Driver Type</b>	On/Off
<b>Input Voltage / Frequency</b>	220-240 V AC 50/60 Hz
<b>Power Factor</b>	>0.9
<b>Surge</b>	1kV
<b>THD (AKIM)</b>	>%20
<b>Option</b>	On-Off / Dali / 1-10V / With Emergency Kit

Technical Drawing



## Surface Mounted Floor Lamp and Lampshade Luminary

---



SKU	Product Code	Power (W)	Luminous Flux (LM)	CRI	CCT (K)	Optics	Dimensions (mm)
	COR 017 042 020D 8027 10 99 PC 20 00	20		>80	4000	360° E27	Ø170x425
	COR 017 038 020M 8027 10 99 PC 20 00	20		>80	4000	360° E27	Ø170x380