

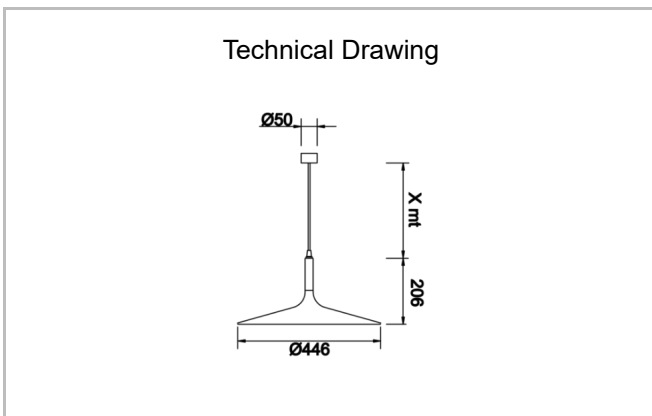
Conus



Pendant Wood & Concrete Products Luminary



Luminaire Group	Wood & Concrete Products
Mounting Type	Pendant
Luminaire Color	RAL 7035 -
Housing	Concrete and Wood
Optics	LED Bulb
Light Source	LED
Electrical Protection Class	CLASS II
IP	20
IK	02
Operating Temperature	-20°C / +40°C
Luminous Flux	
Consumption Power	25 W
Luminaire Efficiency	- lm/W
Color Rendering (CRI)	>80
Light Color Temperature (CCT)	2700K/3000K/4000K/6500K
Color Tolerance	< 3 SDCM
Driver Type	On/Off
Input Voltage / Frequency	220-240 V AC 50/60 Hz
Power Factor	>0.9
Surge	1kV
THD (AKIM)	>%20
LED life	>20.000 hours



SKU	Product Code	Power (W)	Luminous Flux (LM)	CRI	CCT (K)	Optics	Dimensions (mm)
	CRO 090 019 025P 8040 10 GU10 20 00 C1	25		>80	4000	100° GU10	Ø446x206