

Shorefour Moss

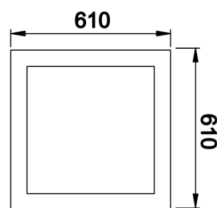


Pendant Acoustic Solutions Luminary

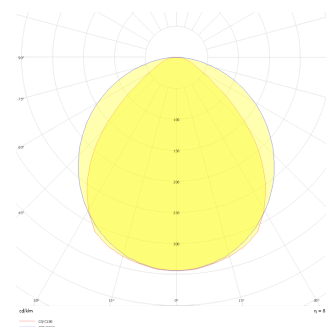


Luminaire Group	Acoustic Solutions
Mounting Type	Pendant
Luminaire Color	RAL 9005 - RAL 9006 - RAL 9010
Housing	Aluminum Extrusion & Acoustic Panel
Optics	Opal Diffuser
Light Source	LED
Electrical Protection Class	CLASS II
IP	40
IK	02
Operating Temperature	-20°C / +40°C
Luminous Flux	11232 lm / 14976 lm / 7488 lm
Consumption Power	104 W / 52 W / 78 W
Luminaire Efficiency	144 lm/W
Color Rendering (CRI)	>80
Light Color Temperature (CCT)	2700K/3000K/4000K/6500K
Color Tolerance	< 3 SDCM
Driver Type	On/Off
Driver Brand	Tridonic
LED Brand	Samsung
Input Voltage / Frequency	220-240 V AC 50/60 Hz
Power Factor	>0.9
Surge	1kV
THD (AKIM)	>%20
LED life	>70.000 hours
Option	On-Off / Dali / 1-10V / With Emergency Kit

Technical Drawing



Photometric Curve

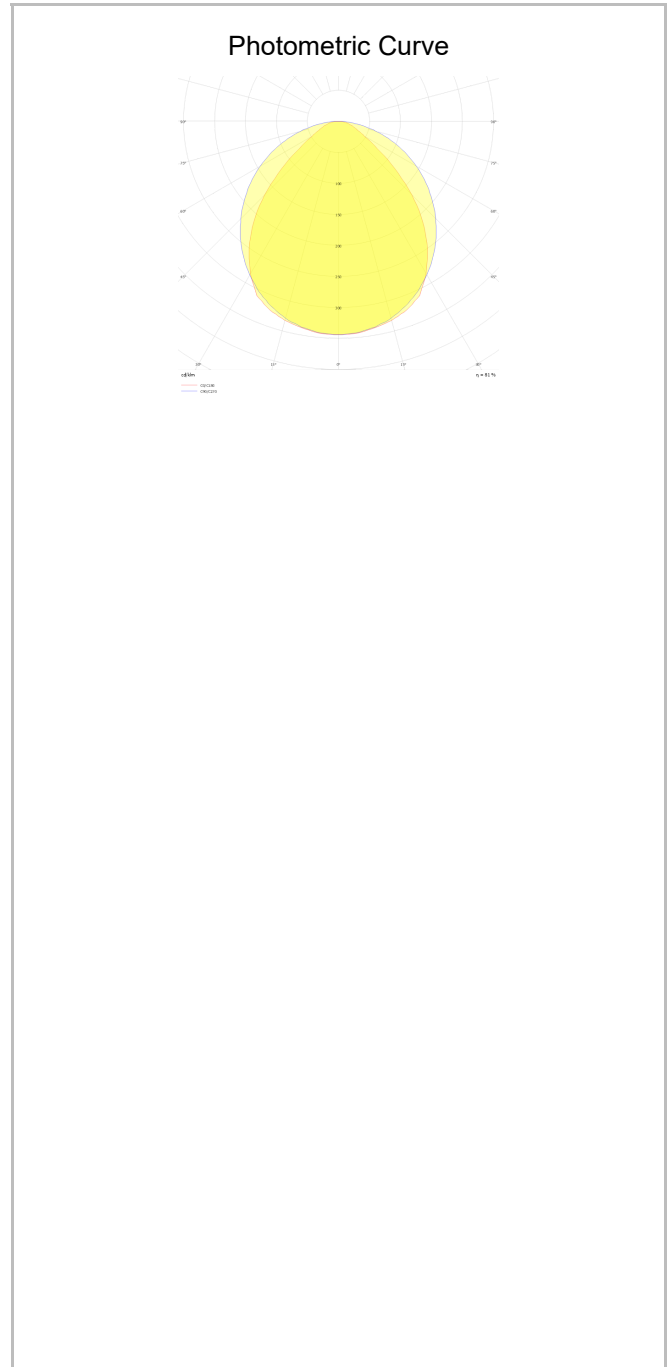
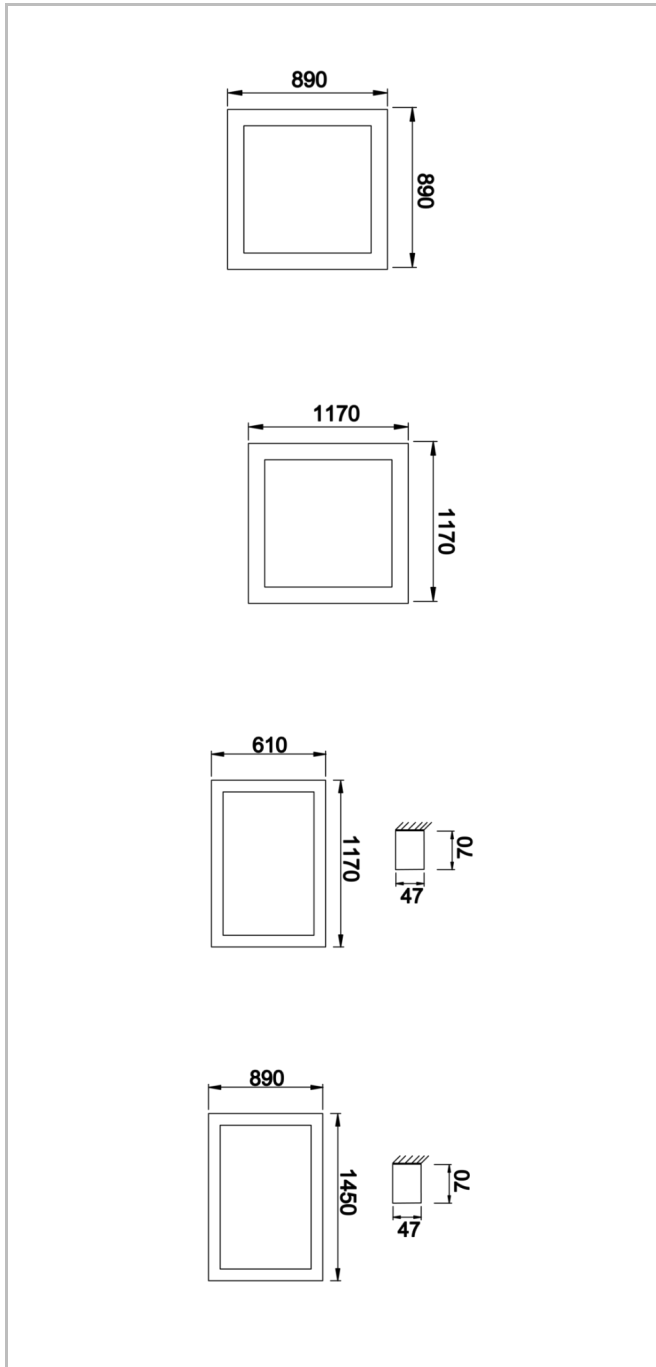


www.atellighting.com

Shorefour Moss



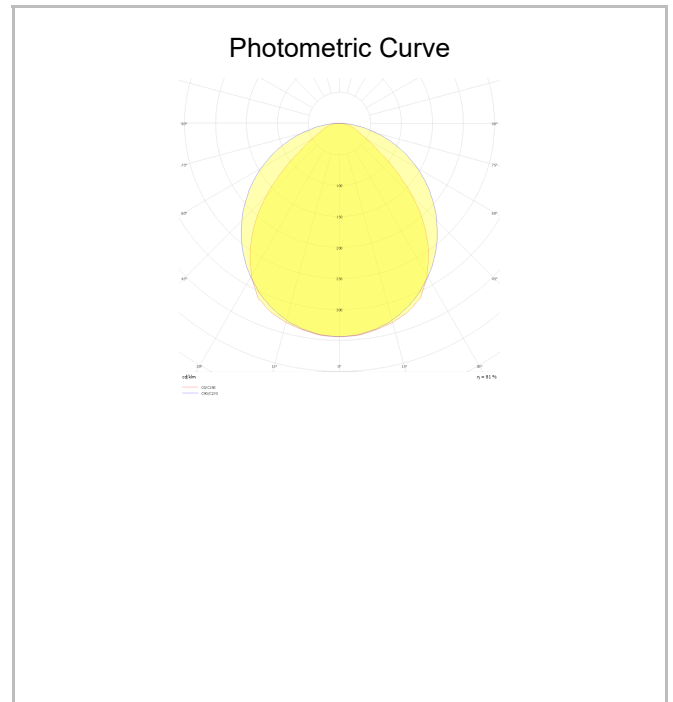
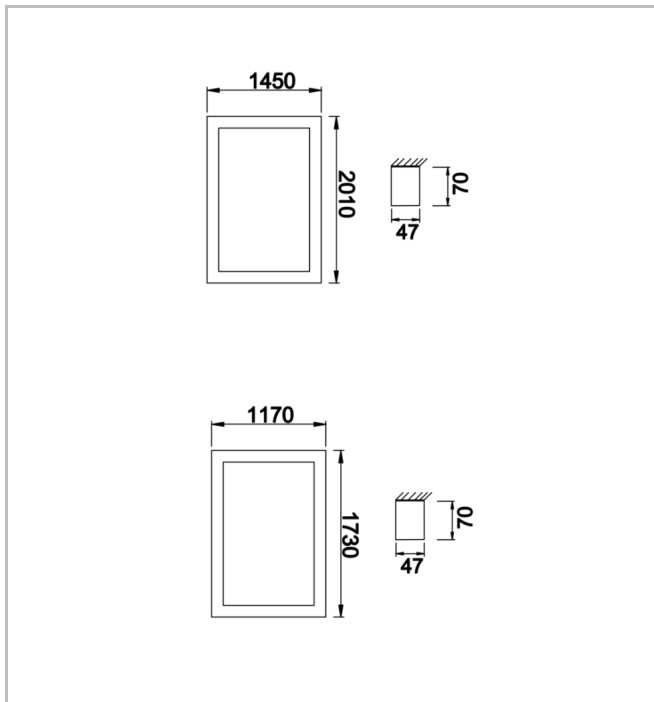
Pendant Acoustic Solutions Luminary



Shorefour Moss



Pendant Acoustic Solutions Luminary



SKU	Product Code	Power (W)	Luminous Flux (LM)	CRI	CCT (K)	Optics	Dimensions (mm)
	SFR 061 061 052S 8040 10 99 OP 40 00 MOS	52	7488	>80	4000	120° Diffuser	610x610x70
	SFR 089 089 078S 8040 10 99 OP 40 00 MOS	78	11232	>80	4000	120° Diffuser	890x890x70
	SFR 089 089 104S 8040 10 99 OP 40 00 MOS	104	14976	>80	4000	120° Diffuser	1170x1170x70