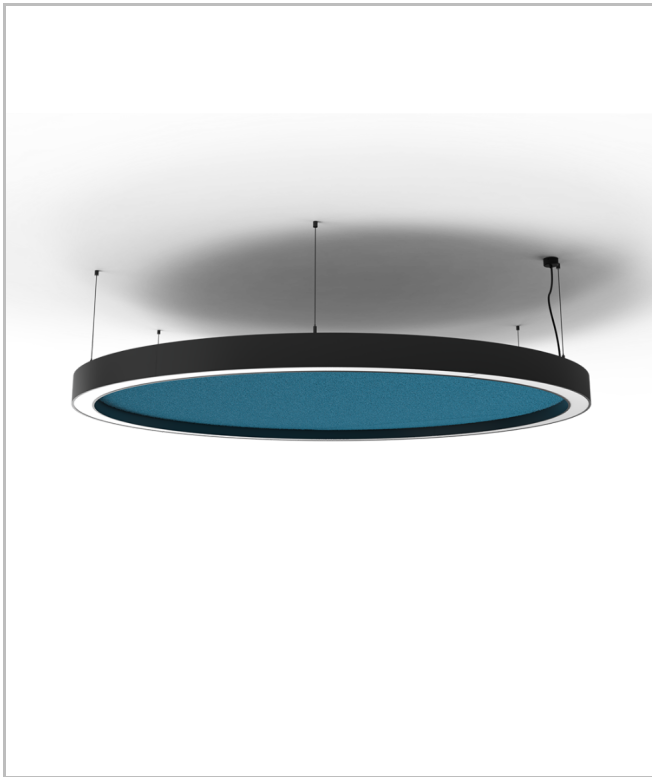


Hoap Felt

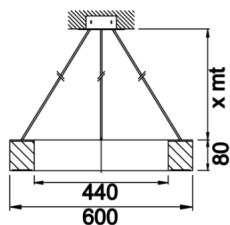
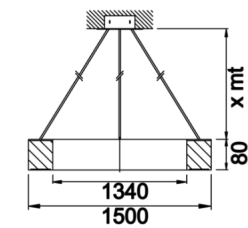


Pendant Acoustic Solutions Luminaire

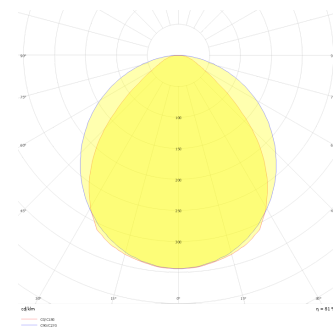


Luminaire Group	Acoustic Solutions
Mounting Type	Pendant
Housing	Aluminum Extrusion & Acoustic Panel
Optics	Opal Diffuser
Light Source	LED
Electrical Protection Class	CLASS II
IP	40
IK	02
Operating Temperature	-20°C / +40°C
Luminous Flux	11570 lm / 6010 lm / 7730 lm / 9700 lm
Consumption Power	38 W / 52 W / 65 W / 78 W
Luminaire Efficiency	158 lm/W
Color Rendering (CRI)	>80
Light Color Temperature (CCT)	2700K/3000K/4000K/6500K
Color Tolerance	< 3 SDCM
Driver Type	On/Off
Driver Brand	Tridonic
LED Brand	Samsung
Input Voltage / Frequency	220-240 V AC 50/60 Hz
Power Factor	>0.9
Surge	1kV
THD (AKIM)	>%20
LED life	>70.000 hours
Option	On-Off / Dali / 1-10V / With Emergency Kit

Technical Drawing



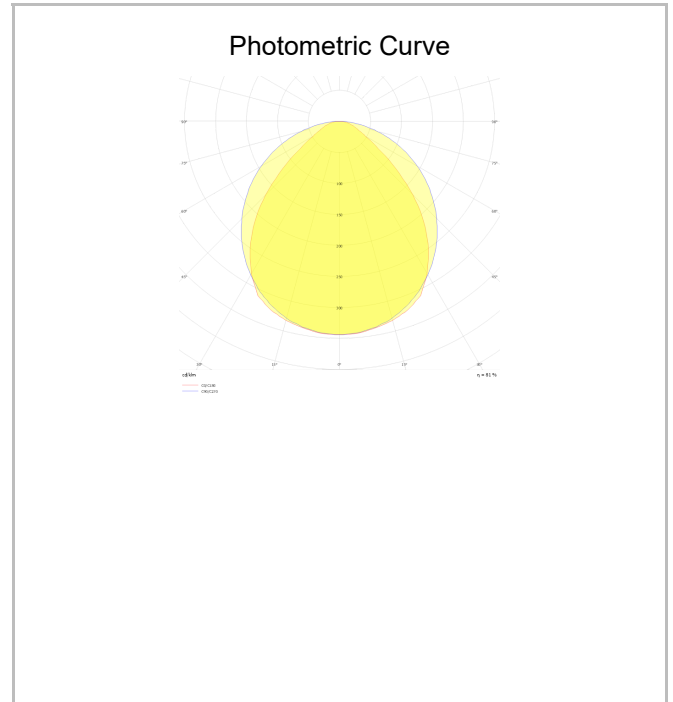
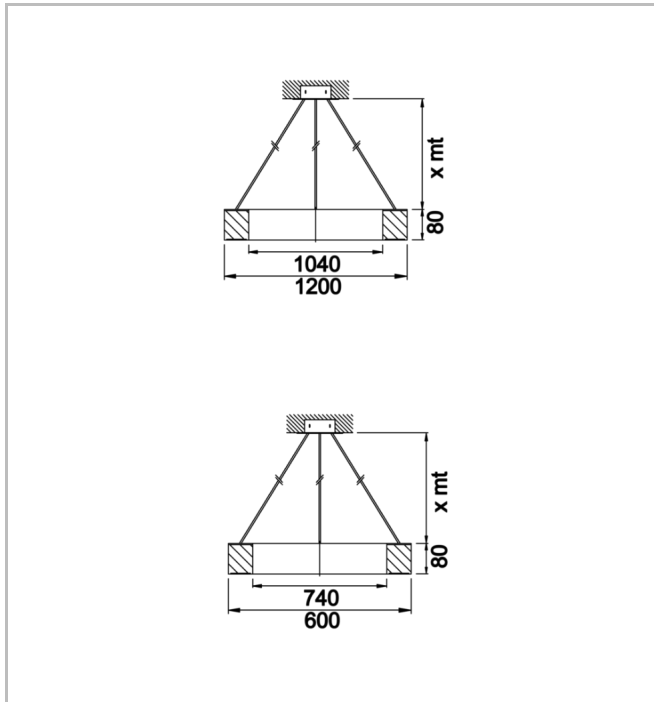
Photometric Curve



Hoap Felt



Pendant Acoustic Solutions Luminary



SKU	Product Code	Power (W)	Luminous Flux (LM)	CRI	CCT (K)	Optics	Dimensions (mm)
	HOP 060 008 038P 8040 10 99 OP 40 00 F	38	6010	>80	4000	120° Opal Diffuser	Ø600x80
	HOP 090 008 052P 8040 10 99 OP 40 00 F	52	7730	>80	4000	120° Opal Diffuser	Ø900x80
	HOP 120 008 065P 8040 10 99 OP 40 00 F	65	9700	>80	4000	120° Opal Diffuser	Ø1200x80
	HOP 150 008 078P 8040 10 99 OP 40 00 F	78	11570	>80	4000	120° Opal Diffuser	Ø1500x80