

# Dimple Drums Pendant

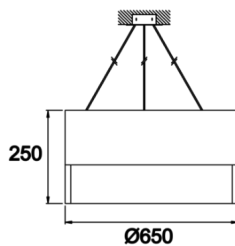


Pendant Luminary

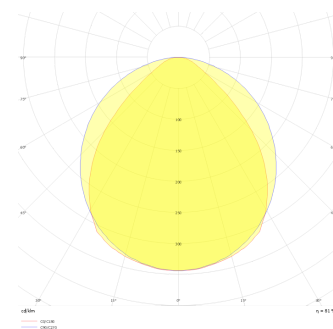


<b>Luminaire Group</b>	Pendant
<b>Mounting Type</b>	Pendant
<b>Luminaire Color</b>	RAL 9005 - RAL 9006 - RAL 9010
<b>Housing</b>	Dkp Sheet
<b>Optics</b>	Opal Diffuser
<b>Light Source</b>	LED
<b>Electrical Protection Class</b>	CLASS II
<b>IP</b>	40
<b>IK</b>	02
<b>Operating Temperature</b>	-20°C / +40°C
<b>Luminous Flux</b>	2160 lm / 3650 lm / 4730 lm / 6290 lm
<b>Consumption Power</b>	20 W / 25 W / 35 W / 48 W
<b>Luminaire Efficiency</b>	108 lm/W
<b>Color Rendering (CRI)</b>	>80
<b>Light Color Temperature (CCT)</b>	2700K/3000K/4000K/6500K
<b>Color Tolerance</b>	< 3 SDCM
<b>Driver Type</b>	On/Off
<b>Driver Brand</b>	Tridonic
<b>LED Brand</b>	Samsung
<b>Input Voltage / Frequency</b>	220-240 V AC 50/60 Hz
<b>Power Factor</b>	>0.9
<b>Surge</b>	1kV
<b>THD (AKIM)</b>	>%20
<b>LED life</b>	>70.000 hours
<b>Option</b>	On-Off / Dali / 1-10V / With Emergency Kit

Technical Drawing



Photometric Curve

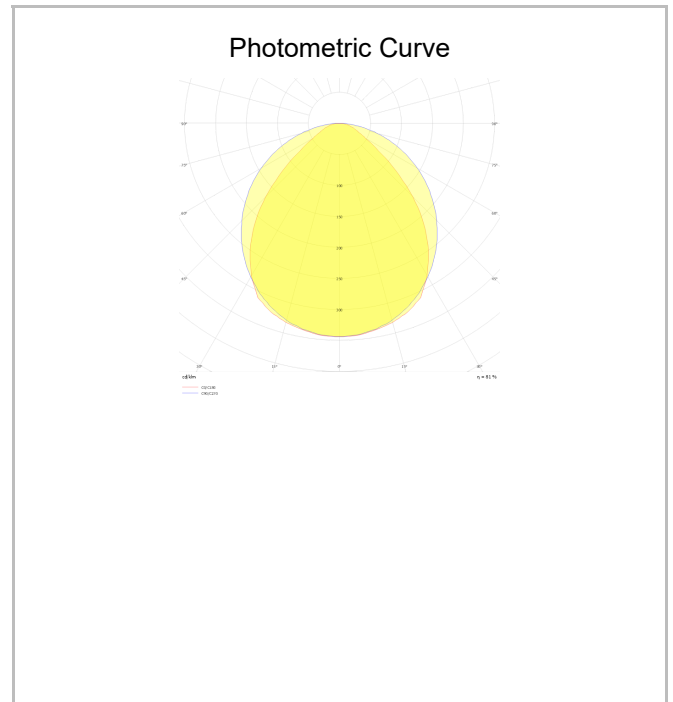
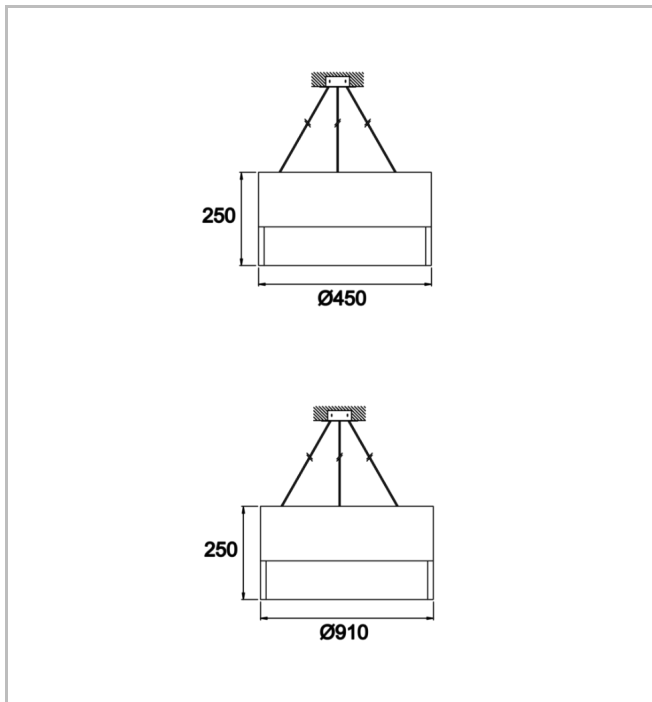


[www.atellighting.com](http://www.atellighting.com)

# Dimple Drums Pendant



Pendant Luminary



SKU	Product Code	Power (W)	Luminous Flux (LM)	CRI	CCT (K)	Optics	Dimensions (mm)
	DDR 035 025 020P 9040 10 99 OP 40 00	20	2160	>80	4000	120° Diffuser	Ø350x250
	DDR 050 025 025P 9040 10 99 OP 40 00	25	3650	>80	4000	120° Diffuser	Ø500x250
	DDR 060 025 035P 9040 10 99 OP 40 00	35	4730	>80	4000	120° Diffuser	Ø600x250
	DDR 080 025 048P 9040 10 99 OP 40 00	48	6290	>80	4000	120° Diffuser	Ø900x250

[www.atellighting.com](http://www.atellighting.com)