

Pail

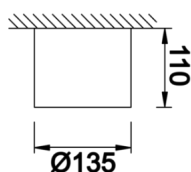
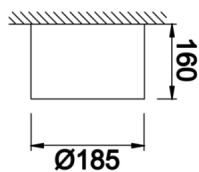


Surface Mounted Luminaire

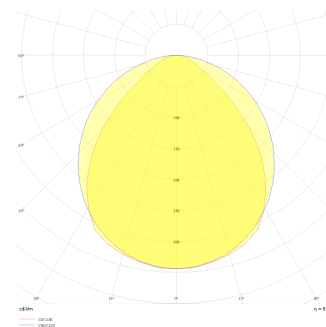


Luminaire Group	Surface Mounted
Mounting Type	Surface Mounted
Luminaire Color	RAL 9005 - RAL 9016 - RAL 9006 - RAL 9010
Housing	Aluminum Extrusion
Optics	Opal Diffuser
Light Source	LED
Electrical Protection Class	CLASS II
IP	40
IK	03
Operating Temperature	-20°C / +40°C
Luminous Flux	1170 lm / 2214 lm / 2250 lm
Consumption Power	18 W / 24 W / 9 W
Luminaire Efficiency	123 lm/W
Color Rendering (CRI)	>80
Light Color Temperature (CCT)	2700K/3000K/4000K/6500K
Color Tolerance	< 3 SDCM
Driver Type	On/Off
Driver Brand	Tridonic
LED Brand	Samsung
Input Voltage / Frequency	220-240 V AC 50/60 Hz
Power Factor	>0.9
Surge	1kV
THD (AKIM)	>%20
LED life	70.000 hours
Option	On-Off / Dali / 1-10V / With Emergency Kit

Technical Drawing



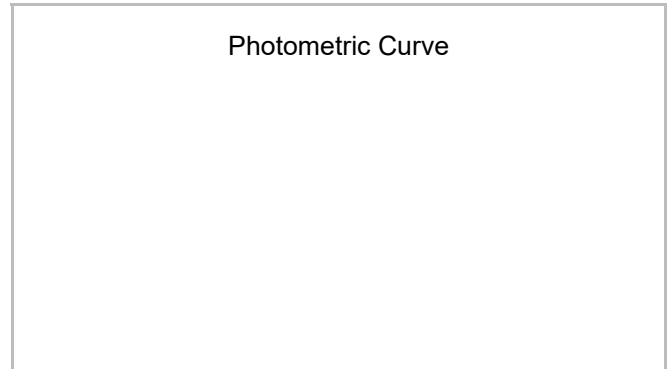
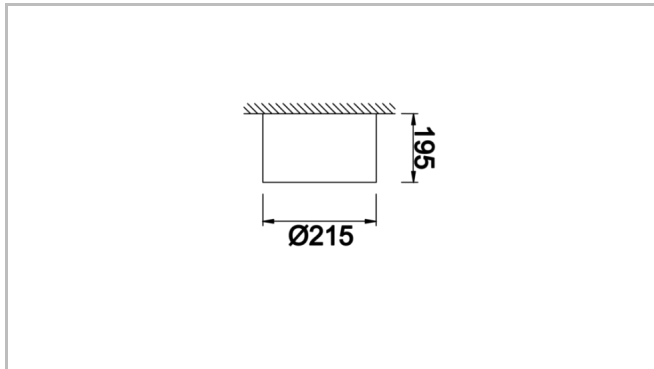
Photometric Curve



Pail



Surface Mounted Luminary



SKU	Product Code	Power (W)	Luminous Flux (LM)	CRI	CCT (K)	Optics	Dimensions (mm)
	PAL 014 010 009S 8040 10 99 OP 44 00	9	1170	>80	4000	120° Opal Diffuser	Ø155
	PAL 018 012 018S 8040 10 99 OP 44 00	18	2214	>80	4000	120° Opal Diffuser	Ø200
	PAL 022 015 024S 8040 10 99 OP 44 00	24	2250	>80	4000	120° Opal Diffuser	Ø235