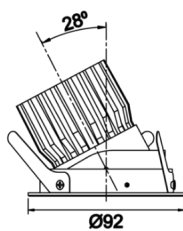


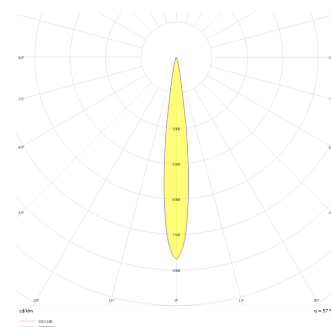


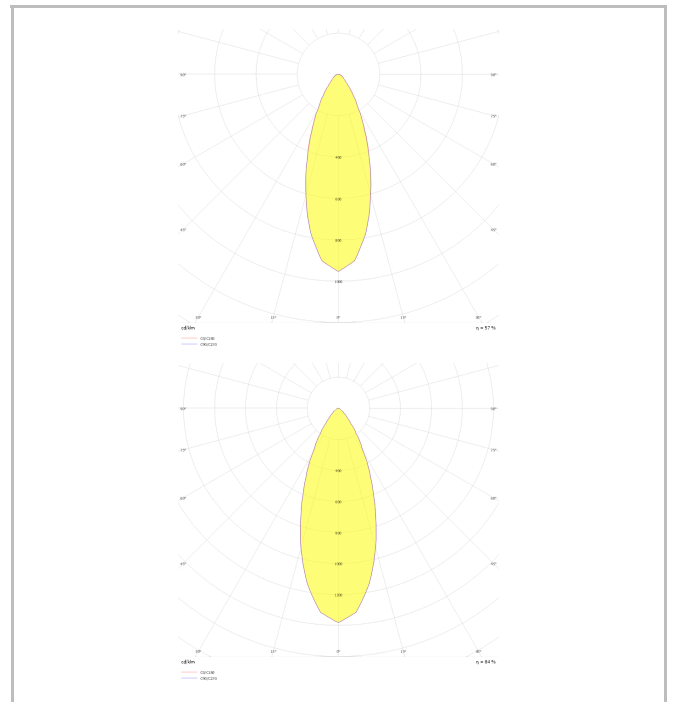
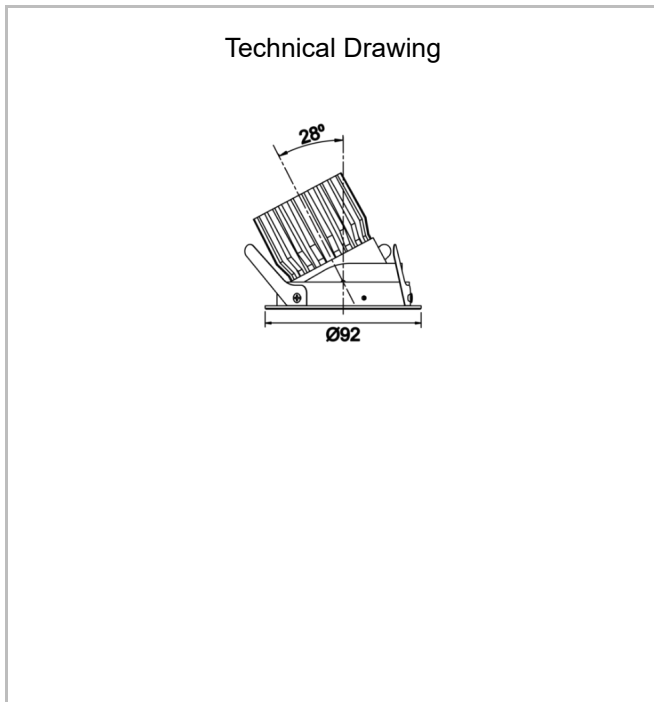
Luminaire Group	Downlight & Spot
Mounting Type	Recessed
Luminaire Color	RAL 9005 - RAL 9010 - RAL 9006
Housing	Aluminum Extrusion
Optics	15° 30° 40° Reflector & Transparent Diffuser
Light Source	LED
Electrical Protection Class	CLASS II
IP	40
IK	02
Operating Temperature	-20°C / +40°C
Luminous Flux	1183 lm / 637 lm / 819 lm
Consumption Power	13 W / 7 W / 9 W
Luminaire Efficiency	91 lm/W
Color Rendering (CRI)	>80
Light Color Temperature (CCT)	2700K/3000K/4000K/6500K
Color Tolerance	< 3 SDCM
Driver Type	On/Off
Driver Brand	Tridonic
LED Brand	Samsung
Input Voltage / Frequency	220-240 V AC 50/60 Hz
Power Factor	>0.9
Surge	1kV
THD (AKIM)	>%20
LED life	>50.000 hours
Option	On-Off / Dali / 1-10V / With Emergency Kit

Technical Drawing



Photometric Curve





SKU	Product Code	Power (W)	Luminous Flux (LM)	CRI	CCT (K)	Optics	Dimensions (mm)
13003938	BDP 009 007 007A 9040 10 15 SD 44 RT	7	637	>80	4000	15° Reflector	Ø92
13003954	BDP 009 007 007A 9040 10 30 SD 44 RT	7	637	>80	4000	30° Reflector	Ø92
13003970	BDP 009 007 007A 9040 10 40 SD 44 RT	7	637	>80	4000	40° Reflector	Ø92
13003986	BDP 009 007 009A 9040 10 15 SD 44 RT	9	819	>80	4000	15° Reflector	Ø92
13003926	BDP 009 007 009A 9040 10 30 SD 44 RT	9	819	>80	4000	30° Reflector	Ø92
13004015	BDP 009 007 009A 9040 10 40 SD 44 RT	9	819	>80	4000	40° Reflector	Ø92
13004031	BDP 009 007 013A 9040 10 15 SD 44 RT	13	1183	>80	4000	15° Reflector	Ø92
13004046	BDP 009 007 013A 9040 10 30 SD 44 RT	13	1183	>80	4000	30° Reflector	Ø92
13004061	BDP 009 007 013A 9040 10 40 SD 44 RT	13	1183	>80	4000	40° Reflector	Ø92