

Square Level

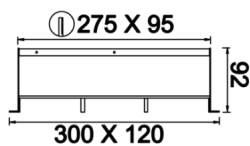
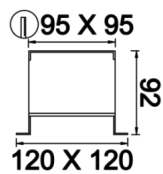


Recessed Downlight & Spot Luminary

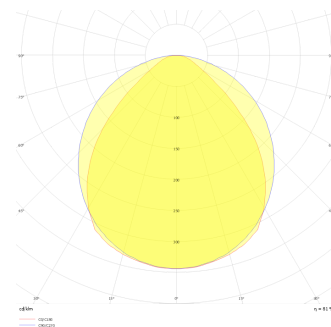


Luminaire Group	Downlight & Spot
Mounting Type	Recessed
Luminaire Color	RAL 9005 - RAL 9010 - RAL 9006
Housing	Aluminum DKP Sheet
Optics	Opal Diffuser
Light Source	LED
Electrical Protection Class	CLASS II
IP	20
IK	02
Operating Temperature	-20°C / +40°C
Luminous Flux	1620 lm / 2430 lm / 810 lm
Consumption Power	18 W / 27 W / 9 W
Luminaire Efficiency	90 lm/W
Color Rendering (CRI)	>80
Light Color Temperature (CCT)	2700K/3000K/4000K/6500K
Color Tolerance	< 3 SDCM
Driver Type	On/Off
Driver Brand	Tridonic
LED Brand	Samsung
Input Voltage / Frequency	220-240 V AC 50/60 Hz
Power Factor	>0.9
Surge	1kV
THD (AKIM)	>%20
LED life	>70.000 hours
Option	On-Off / Dali / 1-10V / With Emergency Kit

Technical Drawing



Photometric Curve

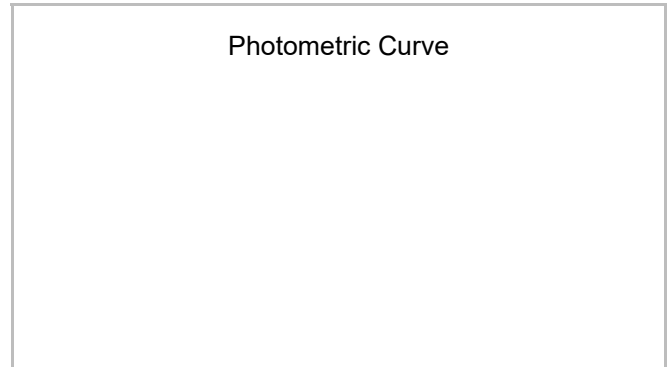
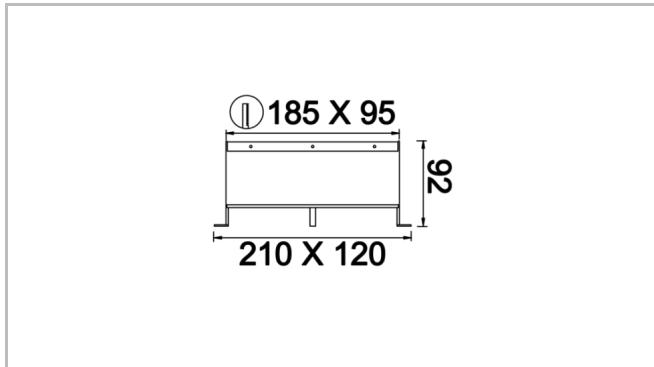


www.atellighting.com

Square Level



Recessed Downlight & Spot Luminary



SKU	Product Code	Power (W)	Luminous Flux (LM)	CRI	CCT (K)	Optics	Dimensions (mm)
13503105	SQL 012 009 009A 8040 10 99 OP 20 00	9	810	>80	4000	120° Diffuser	120x120x92
13503129□	SQL 021 009 018A 8040 10 99 OP 20 00	18	1620	>80	4000	120° Diffuser	210x120x92
13503153□	SQL 027 009 027A 8040 10 99 OP 20 00	27	2430	>80	4000	120° Diffuser	300x120x92