

Oblong Mini II

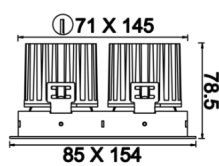


Recessed Downlight & Spot Luminary

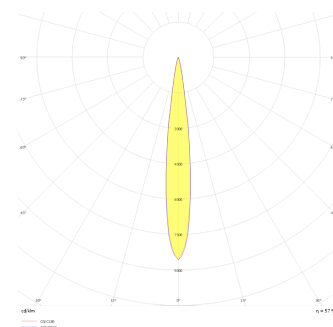


Luminaire Group	Downlight & Spot
Mounting Type	Recessed
Luminaire Color	RAL 9005 - RAL 9006 - RAL 9010
Housing	DKP Sheet
Optics	15° 30° 40° Reflector & Opal Diffuser
Light Source	LED
Electrical Protection Class	CLASS II
IP	40
IK	02
Operating Temperature	-20°C / +40°C
Luminous Flux	1260 lm / 1620 lm / 2340 lm
Consumption Power	14 W / 18 W / 26 W
Luminaire Efficiency	90 lm/W
Color Rendering (CRI)	>80
Light Color Temperature (CCT)	2700K/3000K/4000K/6500K
Color Tolerance	< 3 SDCM
Driver Type	On/Off
Driver Brand	Tridonic
LED Brand	Samsung
Input Voltage / Frequency	220-240 V AC 50/60 Hz
Power Factor	>0.9
Surge	1kV
THD (AKIM)	>%20
LED life	>70.000 hours
Option	On-Off / Dali / 1-10V / With Emergency Kit

Technical Drawing



Photometric Curve

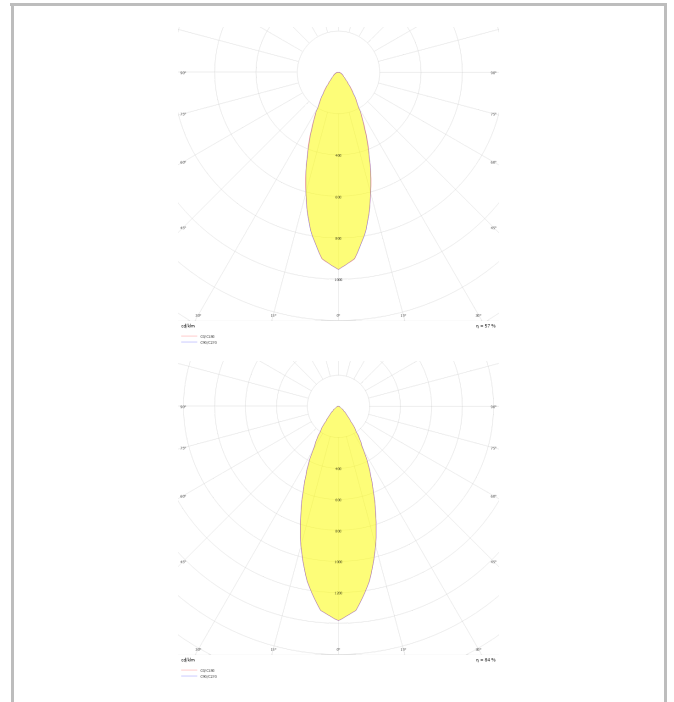
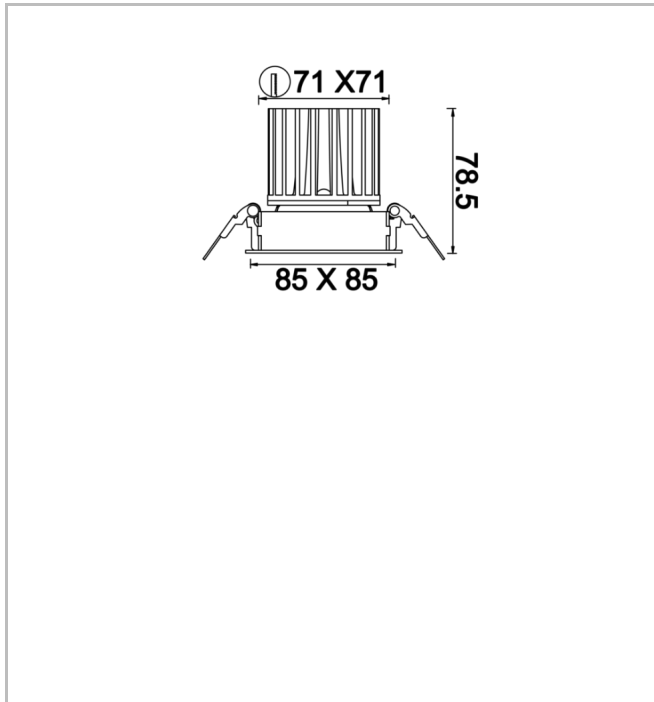


www.atellighting.com

Oblong Mini II



Recessed Downlight & Spot Luminary



SKU	Product Code	Power (W)	Luminous Flux (LM)	CRI	CCT (K)	Optics	Dimensions (mm)
	OBL 016 007 014A 8040 10 15 SD 40 00	14	1260	>80	4000	15° Reflector	85x154x78,5
	OBL 016 007 014A 8040 10 30 SD 40 00	14	1260	>80	4000	30° Reflector	85x154x78,5
	OBL 016 007 014A 8040 10 40 SD 40 00	14	1260	>80	4000	40° Reflector	85x154x78,5
	OBL 016 007 018A 8040 10 15 SD 40 00	18	1620	>80	4000	15° Reflector	85x154x78,5
	OBL 016 007 018A 8040 10 30 SD 40 00	18	1620	>80	4000	30° Reflector	85x154x78,5
	OBL 016 007 018A 8040 10 40 SD 40 00	18	1620	>80	4000	40° Reflector	85x154x78,5
	OBL 016 007 026A 8040 10 15 SD 40 00	26	2340	>80	4000	15° Reflector	85x154x78,5
	OBL 016 007 026A 8040 10 30 SD 40 00	26	2340	>80	4000	30° Reflector	85x154x78,5
	OBL 016 007 026A 8040 10 40 SD 40 00	26	2340	>80	4000	40° Reflector	85x154x78,5