

Motus M

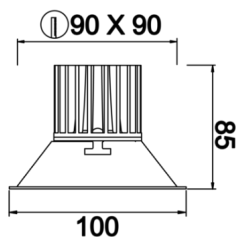


Recessed Downlight & Spot Luminary

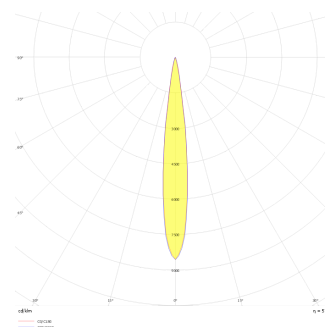


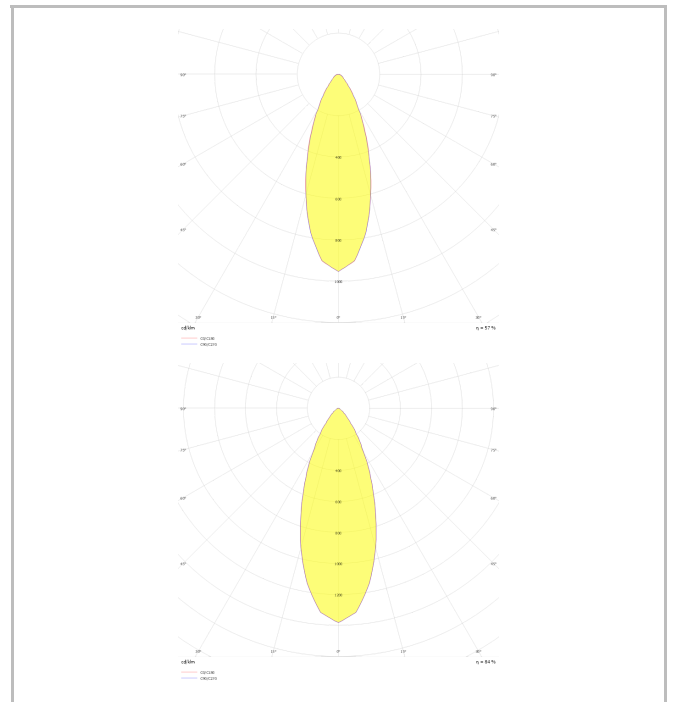
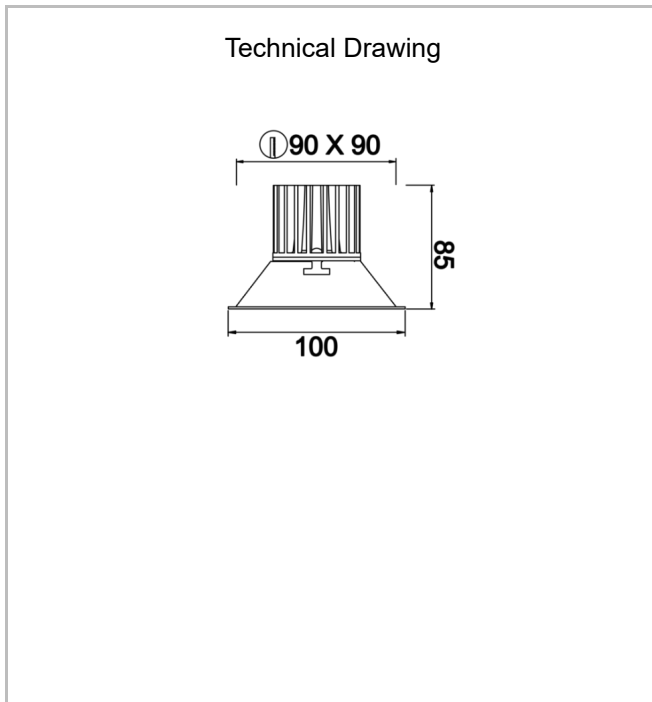
Luminaire Group	Downlight & Spot
Mounting Type	Recessed
Luminaire Color	RAL 9005 - RAL 9016 - RAL 9006
Housing	Aluminum Injection
Optics	15° 30° 40° Reflector & Opal Diffuser
Light Source	LED
Electrical Protection Class	CLASS II
IP	20
IK	02
Operating Temperature	-20°C / +40°C
Luminous Flux	1170 lm / 630 lm / 810 lm
Consumption Power	13 W / 7 W / 9 W
Luminaire Efficiency	90 lm/W
Color Rendering (CRI)	>80
Light Color Temperature (CCT)	2700K/3000K/4000K/6500K
Color Tolerance	< 3 SDCM
Driver Type	On/Off
Driver Brand	Tridonic
LED Brand	Samsung
Input Voltage / Frequency	220-240 V AC 50/60 Hz
Power Factor	>0.9
Surge	1kV
THD (AKIM)	>%20
LED life	>70.000 hours
Option	On-Off / Dali / 1-10V / With Emergency Kit

Technical Drawing



Photometric Curve





SKU	Product Code	Power (W)	Luminous Flux (LM)	CRI	CCT (K)	Optics	Dimensions (mm)
13502619	MTS 010 008 007A 8040 10 15 SD 20 00	7	630	>80	4000	15° Reflector	100x100x85
13502637	MTS 010 008 007A 8040 10 30 SD 20 00	7	630	>80	4000	30° Reflector	100x100x85
13502655	MTS 010 008 007A 8040 10 40 SD 20 00	7	630	>80	4000	40° Reflector	100x100x85
13502673	MTS 010 008 009A 8040 10 15 SD 20 00	9	810	>80	4000	15° Reflector	100x100x85
13502691	MTS 010 008 009A 8040 10 30 SD 20 00	9	810	>80	4000	30° Reflector	100x100x85
13502709	MTS 010 008 009A 8040 10 40 SD 20 00	9	810	>80	4000	40° Reflector	100x100x85
13502727	MTS 010 008 013A 8040 10 15 SD 20 00	13	1170	>80	4000	15° Reflector	100x100x85
13502745	MTS 010 008 013A 8040 10 15 SD 20 00 (1)	13	1170	>80	4000	30° Reflector	100x100x85
13502763	MTS 010 008 013A 8040 10 40 SD 20 00	13	1170	>80	4000	40° Reflector	100x100x85