

Flus Recessed Series

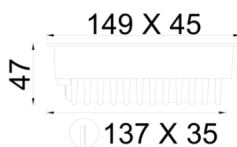
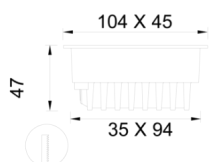


Recessed Downlight & Spot Luminary



Luminaire Group	Downlight & Spot
Mounting Type	Recessed
Luminary Color	RAL 9005 - RAL 9016
Housing	Aluminum Extrusion
Optics	34° 48° Reflector
Light Source	LED
Electrical Protection Class	CLASS II
IP	20
IK	02
Operating Temperature	-20°C / +40°C
Luminous Flux	240 lm / 400 lm / 800 lm
Consumption Power	10 W / 3 W / 5 W
Luminaire Efficiency	80 lm/W
Color Rendering (CRI)	>80
Light Color Temperature (CCT)	2700K/3000K/4000K/6500K
Color Tolerance	< 3 SDCM
Driver Type	On/Off
Driver Brand	Tridonic
LED Brand	Samsung
Input Voltage / Frequency	220-240 V AC 50/60 Hz
Power Factor	>0.9
Surge	1kV
THD (AKIM)	>%20
LED life	>100.000 hours
Option	On-Off / Dali / 1-10V / With Emergency Kit

Technical Drawing



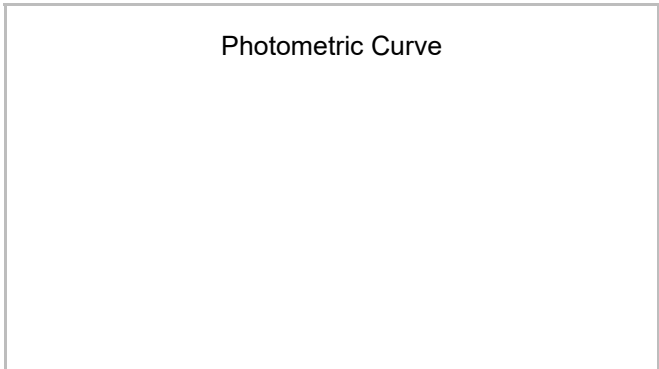
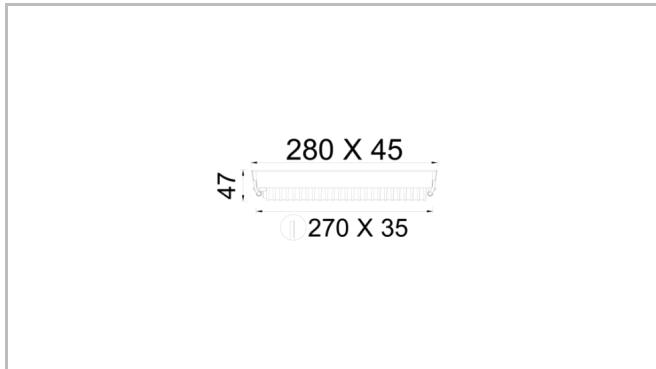
Photometric Curve



Flus Recessed Series



Recessed Downlight & Spot Luminary



SKU	Product Code	Power (W)	Luminous Flux (LM)	CRI	CCT (K)	Optics	Dimensions (mm)
	FLS 010 004 003A 8040 10 34 DY 20 00	3	240	>80	4000	34° Reflector	104x45x47
	FLS 010 004 003A 8040 10 48 DY 20 00	3	240	>80	4000	48° Reflector	104x45x47
	FLS 014 004 005A 8040 10 34 DY 20 00	5	400	>80	4000	34° Reflector	149x45x47
	FLS 014 004 005A 8040 10 48 DY 20 00	5	400	>80	4000	48° Reflector	149x45x47
	FLS 028 004 010A 8040 10 34 DY 20 00	10	800	>80	4000	34° Reflector	280x45x47
	FLS 028 004 010A 8040 10 48 DY 20 00	10	800	>80	4000	48° Reflector	280x45x47