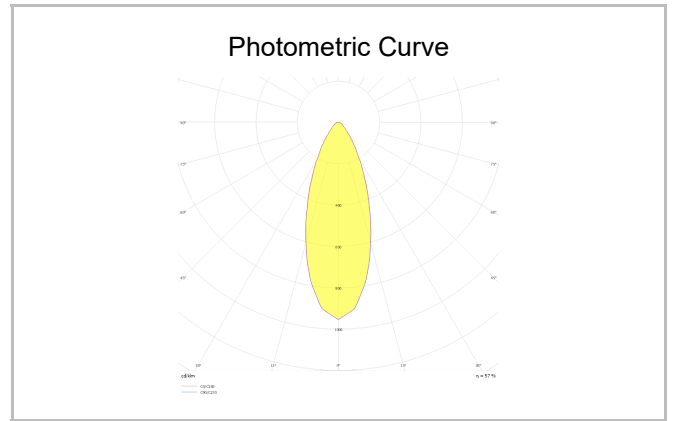
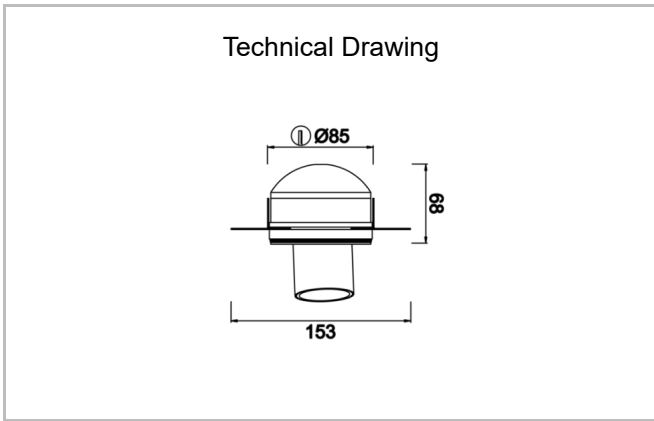




Luminaire Group	Downlight & Spot
Mounting Type	Recessed
Luminaire Color	RAL 9005 - RAL 9006 - RAL 9010
Housing	Aluminum
Optics	30° Reflector
Light Source	LED
Electrical Protection Class	CLASS II
IP	40
IK	02
Operating Temperature	-20°C / +40°C
Luminous Flux	1170 lm / 810 lm
Consumption Power	13 W / 9 W
Luminaire Efficiency	810 lm / 1170 lm
Color Rendering (CRI)	>80
Light Color Temperature (CCT)	2700K/3000K/4000K/6500K
Color Tolerance	< 3 SDCM
Driver Type	On/Off
Driver Brand	Tridonic
LED Brand	Samsung
Input Voltage / Frequency	220-240 V AC 50/60 Hz
Power Factor	>0.9
Surge	1kV
THD (AKIM)	>%20
LED life	>50.000 hours
Option	On-Off / Dali / 1-10V / With Emergency Kit



SKU	Product Code	Power (W)	Luminous Flux (LM)	CRI	CCT (K)	Optics	Dimensions (mm)
	BTL 008 009 009T 8027 10 30 SD 40 00	9	810	>80	4000	25° Reflector	Ø85x68
	BTL 008 009 013T 8027 10 30 SD 40 00	13	1170	>80	4000	25° Reflector	Ø85x68