

Solid Level

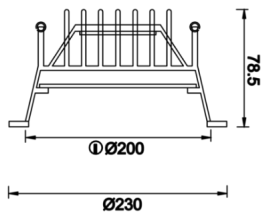


Recessed Downlight & Spot Luminary

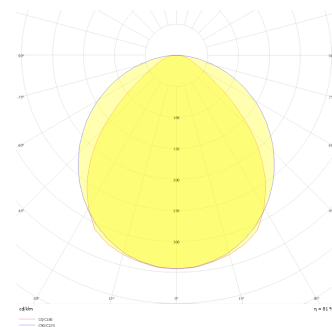


Luminaire Group	Downlight & Spot
Mounting Type	Recessed
Luminaire Color	RAL 9010 - RAL 9005 - RAL 9016 - RAL 9006
Housing	Aluminum
Optics	Opal Diffuser
Light Source	LED
Electrical Protection Class	CLASS II
IP	40
IK	03
Operating Temperature	-20°C / +40°C
Luminous Flux	2250 lm / 2856 lm / 395 lm / 711 lm
Consumption Power	18 W / 24 W / 5 W / 9 W
Luminaire Efficiency	79 lm/W - 125 lm/W
Color Rendering (CRI)	>80
Light Color Temperature (CCT)	2700K/3000K/4000K/6500K
Color Tolerance	< 3 SDCM
Driver Type	On/Off
Driver Brand	Tridonic
LED Brand	Samsung
Input Voltage / Frequency	220-240 V AC 50/60 Hz
Power Factor	>0.9
Surge	1kV
THD (AKIM)	>%20
LED life	>70.000 hours
Option	On-Off / Dali / 1-10V / With Emergency Kit

Technical Drawing



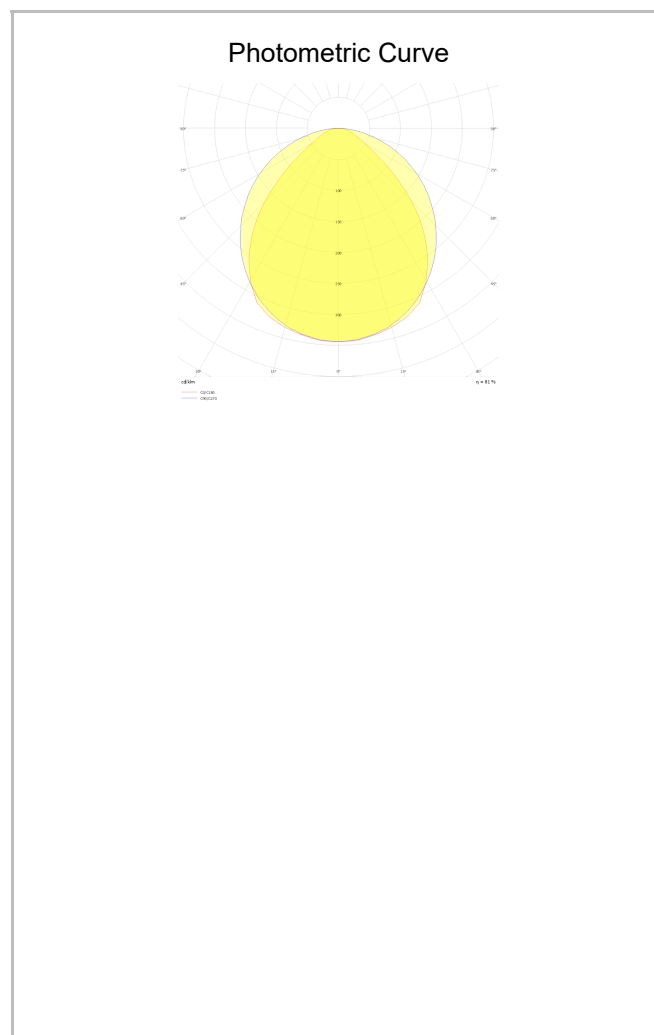
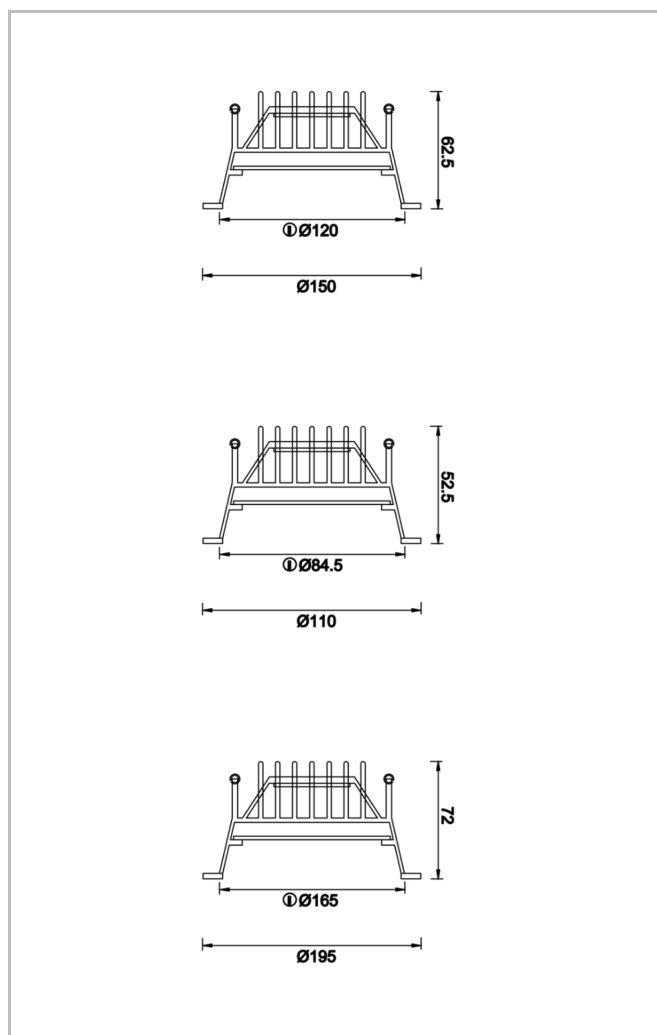
Photometric Curve



Solid Level



Recessed Downlight & Spot Luminary



SKU	Product Code	Power (W)	Luminous Flux (LM)	CRI	CCT (K)	Optics	Dimensions (mm)
	SLL 011 005 005A 8040 10 99 OP 40 00	5	395	>80	4000	120° Opal Diffuser	Ø110
	SLL 015 006 009A 8040 10 99 OP 40 00	9	711	>80	4000	120° Opal Diffuser	Ø150
	SLL 019 007 018A 8040 10 99 OP 40 00	18	2250	>80	4000	120° Opal Diffuser	Ø195
	SLL 023 008 024A 8030 10 99 OP 40 00	24	2856	>80	4000	120° Opal Diffuser	Ø230