

# Rainbow Deep

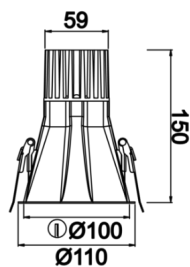


## Recessed Downlight & Spot Luminary

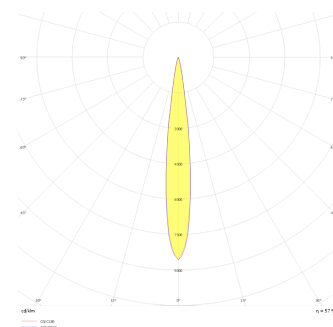


<b>Luminaire Group</b>	Downlight & Spot
<b>Mounting Type</b>	Recessed
<b>Luminaire Color</b>	RAL 9010 - RAL 9005 - RAL 9006 - RAL 9016
<b>Housing</b>	Aluminum Extrusion
<b>Optics</b>	15° 30° 40° Reflector & Transparent Diffuser
<b>Light Source</b>	LED
<b>Electrical Protection Class</b>	CLASS II
<b>IP</b>	44
<b>IK</b>	03
<b>Operating Temperature</b>	-20°C / +40°C
<b>Luminous Flux</b>	511 lm / 657 lm / 949 lm
<b>Consumption Power</b>	13 W / 7 W / 9 W
<b>Luminaire Efficiency</b>	73 lm/W
<b>Color Rendering (CRI)</b>	>80
<b>Light Color Temperature (CCT)</b>	2700K/3000K/4000K/6500K
<b>Color Tolerance</b>	< 3 SDCM
<b>Driver Type</b>	On/Off
<b>Driver Brand</b>	Tridonic
<b>LED Brand</b>	Samsung
<b>Input Voltage / Frequency</b>	220-240 V AC 50/60 Hz
<b>Power Factor</b>	>0.9
<b>Surge</b>	1kV
<b>THD (AKIM)</b>	>%20
<b>LED life</b>	>102.000 hours
<b>Option</b>	On-Off / Dali / 1-10V / With Emergency Kit

Technical Drawing



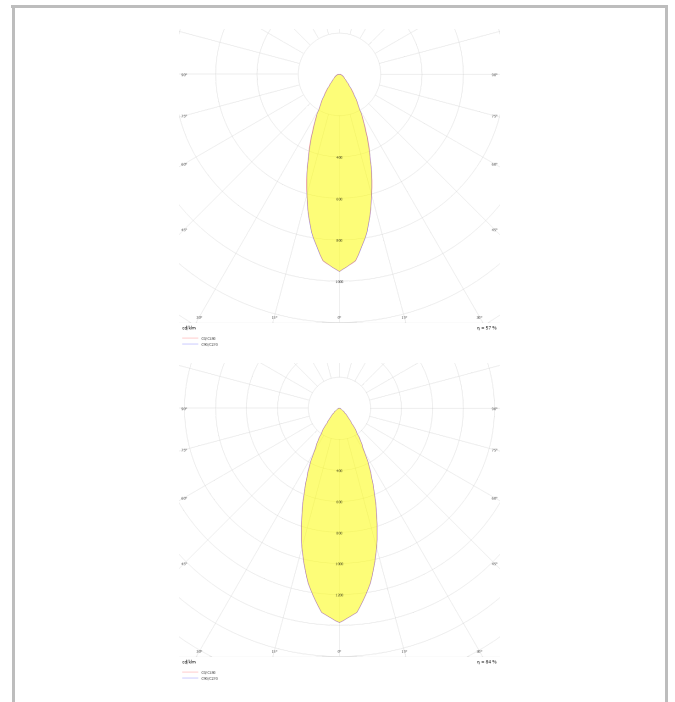
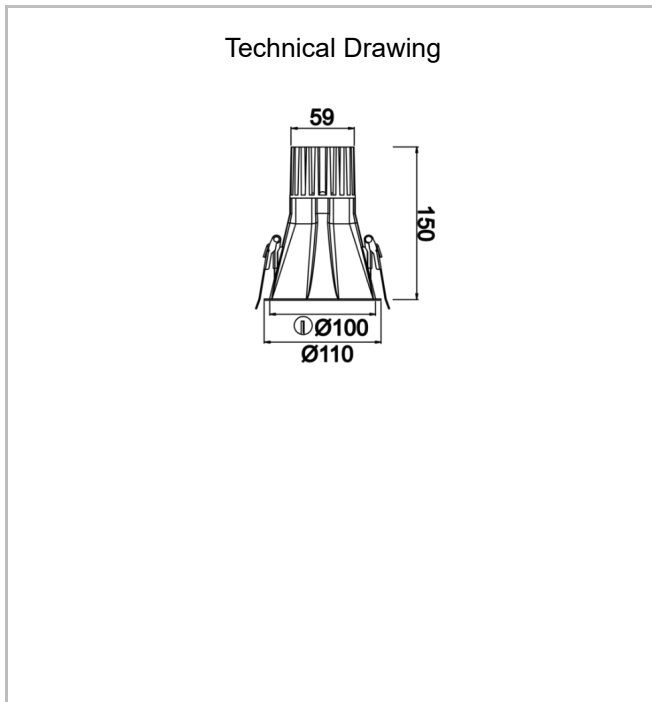
Photometric Curve



# Rainbow Deep



## Recessed Downlight & Spot Luminary



SKU	Product Code	Power (W)	Luminous Flux (LM)	CRI	CCT (K)	Optics	Dimensions (mm)
	RNB 010 015 007A 9040 10 15 SD 44 DP	7	511	>80	4000	15° Reflector	Ø110
	RNB 010 015 009A 9040 10 15 SD 44 DP	9	657	>80	4000	15° Reflector	Ø110
	RNB 010 015 013A 9040 10 15 SD 44 DP	13	949	>80	4000	15° Reflector	Ø110
	RNB 010 015 007A 9040 10 30 SD 44 DP	7	511	>80	4000	30° Reflector	Ø110
	RNB 010 015 009A 9040 10 30 SD 44 DP (1)	9	657	>80	4000	30° Reflector	Ø110
	RNB 010 015 013A 9040 10 30 SD 44 DP	13	949	>80	4000	30° Reflector	Ø110
	RNB 010 015 007A 9040 10 40 SD 44 DP	7	657	>80	4000	40° Reflector	Ø110
	RNB 010 015 009A 9040 10 40 SD 44 DP	9	657	>80	4000	40° Reflector	Ø110
	RNB 010 015 013A 9040 10 40 SD 44 DP	13	949	>80	4000	40° Reflector	Ø110