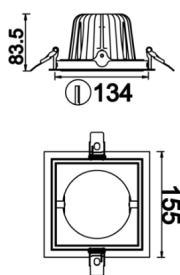


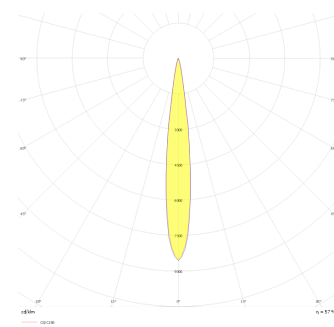


<b>Luminaire Group</b>	Downlight & Spot
<b>Mounting Type</b>	Recessed
<b>Luminary Color</b>	RAL 9010 - RAL 9005 - RAL 9006
<b>Housing</b>	DKP Sheet
<b>Optics</b>	15° 30° 40° Reflector & Transparent Diffuser
<b>Light Source</b>	LED
<b>Electrical Protection Class</b>	CLASS II
<b>IP</b>	20
<b>IK</b>	02
<b>Operating Temperature</b>	-20°C / +40°C
<b>Luminous Flux</b>	2340 lm / 3380 lm / 4500 lm / 4680 lm / 6760 lm / 8580 lm
<b>Consumption Power</b>	18 W / 26 W / 33 W / 36 W / 52 W / 66 W
<b>Luminaire Efficiency</b>	130 lm/W
<b>Color Rendering (CRI)</b>	>80
<b>Light Color Temperature (CCT)</b>	2700K/3000K/4000K/6500K
<b>Color Tolerance</b>	< 3 SDCM
<b>Driver Type</b>	On/Off
<b>Driver Brand</b>	Tridonic
<b>LED Brand</b>	Samsung
<b>Input Voltage / Frequency</b>	220-240 V AC 50/60 Hz
<b>Power Factor</b>	>0.9
<b>Surge</b>	1kV
<b>THD (AKIM)</b>	>%20
<b>LED life</b>	>50.000 hours
<b>Option</b>	On-Off / Dali / 1-10V / With Emergency Kit

Technical Drawing



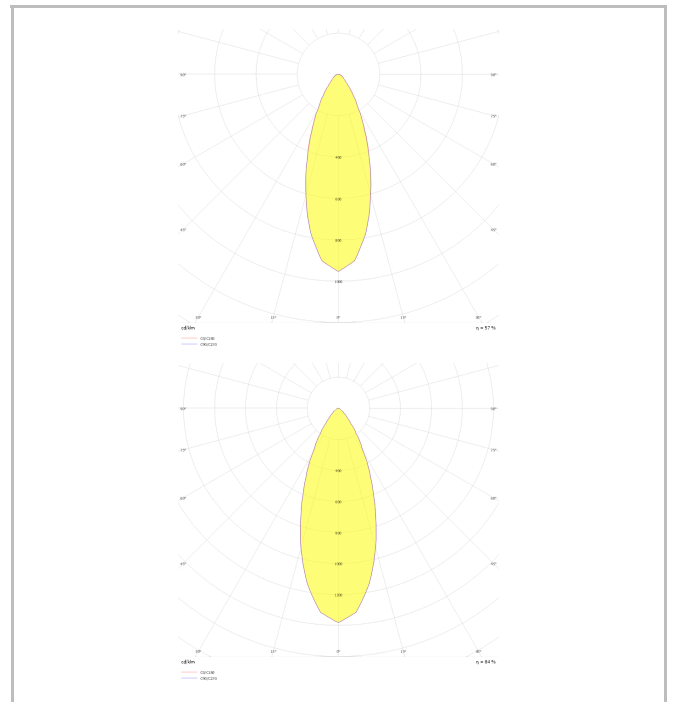
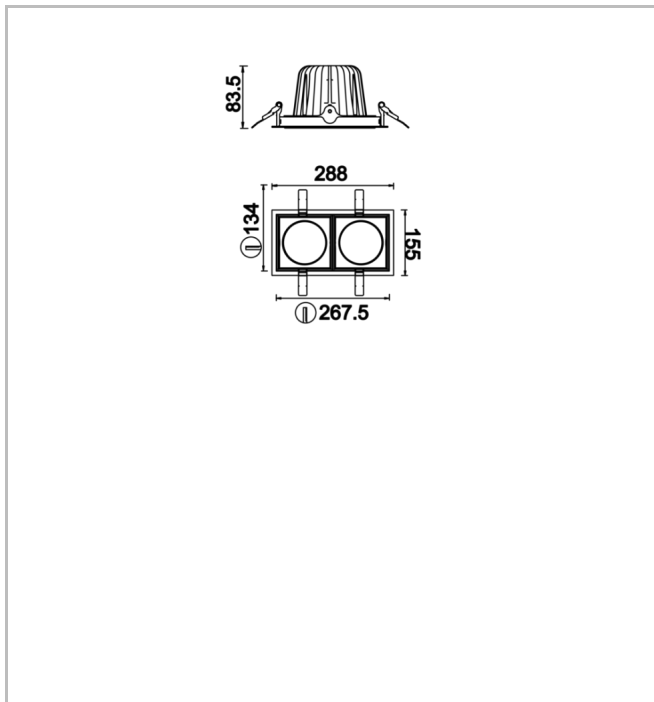
Photometric Curve



# Parent I & II



## Recessed Downlight & Spot Luminary



SKU	Product Code	Power (W)	Luminous Flux (LM)	CRI	CCT (K)	Optics	Dimensions (mm)
13503938□	PRT 015 015 018A 8040 10 30 CA 20 00	18	2340	>80	4000	30° Reflector	155x155x83,5
13503573□	PRT 015 015 026A 8040 10 30 CA 20 00	26	3380	>80	4000	30° Reflector	155x155x83,5
	PRT 015 015 033A 8040 10 30 CA 20 00	33	4500	>80	4000	30° Reflector	155x155x83,5
	PRT 028 015 036A 8030 10 30 CA 20 00	36	4680	>80	4000	30° Reflector	288x155x83,5
	PRT 028 015 052A 8030 10 30 CA 20 00	52	6760	>80	4000	30° Reflector	288x155x83,5
	PRT 028 015 066A 8030 10 30 CA 20 00	66	8580	>80	4000	30° Reflector	288x155x83,5