

Shorefour S

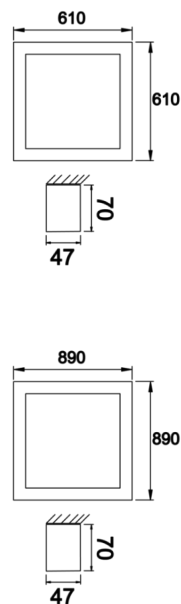


Surface Mounted Linear Luminary

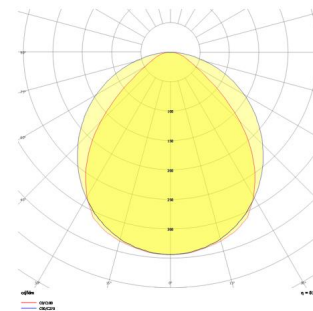


Luminaire Group	Linear
Mounting Type	Surface Mounted
Luminary Color	RAL 9016 - RAL 9010
Housing	Aluminum extruded profile
Optics	Opal Diffuser
Light Source	LED
Electrical Protection Class	CLASS II
IP	40
IK	02
Operating Temperature	-20°C / +40°C
Luminous Flux	11232 lm / 14976 lm / 7488 lm
Consumption Power	104 W / 52 W / 78 W
Luminaire Efficiency	144 lm/W
Color Rendering (CRI)	>80
Light Color Temperature (CCT)	2700K/3000K/4000K/6500K
Color Tolerance	< 3 SDCM
Driver Type	On/Off
Driver Brand	Tridonic
LED Brand	Samsung
Input Voltage / Frequency	220-240 V AC 50/60 Hz
Power Factor	>0.9
Surge	1kV
THD (AKIM)	>%20
LED life	>70.000 hours
Option	On-Off / Dali / 1-10V / With Emergency Kit

Technical Drawing



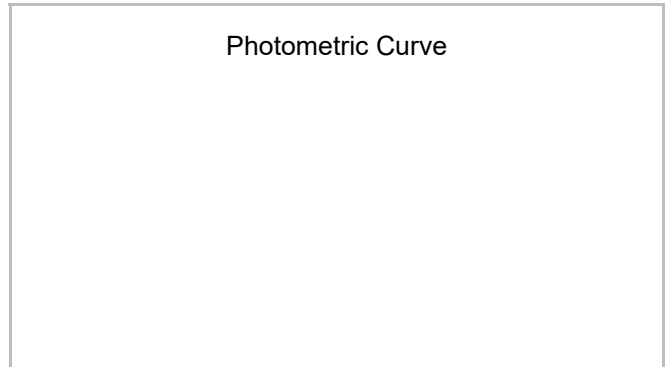
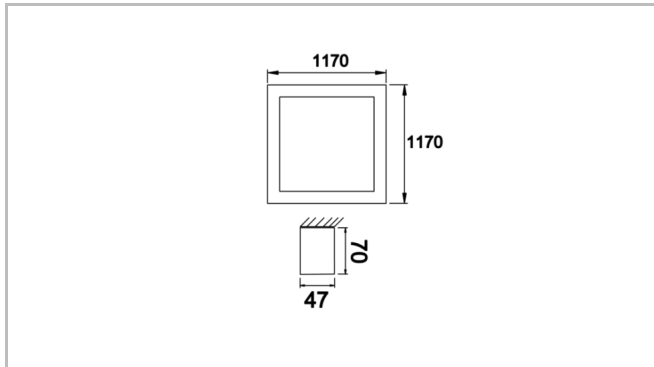
Photometric Curve



Shorefour S



Surface Mounted Linear Luminary



SKU	Product Code	Power (W)	Luminous Flux (LM)	CRI	CCT (K)	Optics	Dimensions (mm)
	SFR 061 061 052S 8040 10 99 OP 40 00	52	7488	>80	4000	120° Opal Diffuser	610x610x47x70
	SFR 089 089 078S 8040 10 99 OP 40 00	78	11232	>80	4000	120° Opal Diffuser	890x890x47x70
	SFR 117 117 104S 8040 10 99 OP 40 00	104	14976	>80	4000	120° Opal Diffuser	1170x1170x47x70