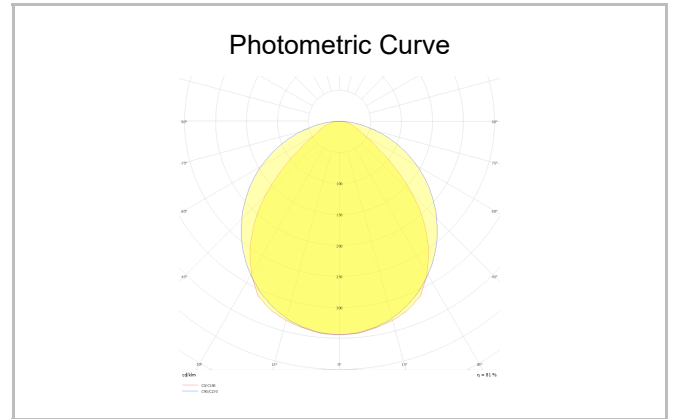
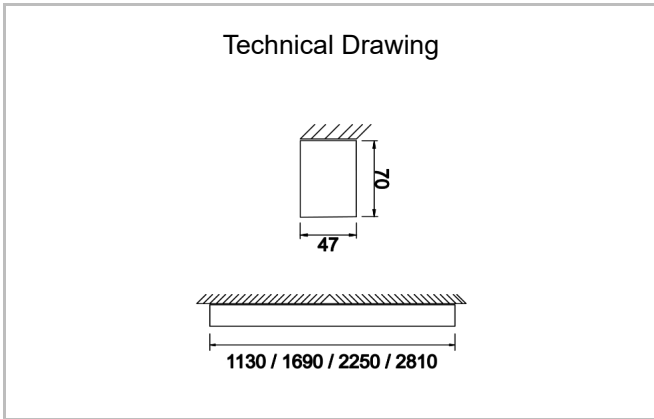




Luminaire Group	Linear
Mounting Type	Surface Mounted
Luminary Color	RAL 9016 - RAL 9010
Housing	Aluminum extruded profile
Optics	Opal Diffuser
Light Source	LED
Electrical Protection Class	CLASS II
IP	40
IK	03
Operating Temperature	-20°C / +40°C
Luminous Flux	1820 lm / 2660 lm / 3500 lm / 4410 lm
Consumption Power	26 W / 38 W / 50 W / 60 W
Luminaire Efficiency	70 lm/W
Color Rendering (CRI)	>80
Light Color Temperature (CCT)	2700K/3000K/4000K/6500K
Color Tolerance	< 3 SDCM
Driver Type	On/Off
Driver Brand	Tridonic
LED Brand	Samsung
Input Voltage / Frequency	220-240 V AC 50/60 Hz
Power Factor	>0.9
Surge	1kV
THD (AKIM)	>%20
LED life	>70.000 hours



SKU	Product Code	Power (W)	Luminous Flux (LM)	CRI	CCT (K)	Optics	Dimensions (mm)
	OFL 047 113 026S 8040 10 99 OP 40 TK	26	1820	>80	4000	120° / Opal	1130x47x70
	OFL 047 169 038S 8040 10 99 OP 40 TK	38	2660	>80	4000	120° / Opal	1690x47x70
	OFL 047 225 050S 8040 10 99 OP 40 TK	50	3500	>80	4000	120° / Opal	2250x47x70
	OFL 047 281 063S 8040 10 99 OP 40 TK	60	4410	>80	4000	120° / Opal	2810x47x70