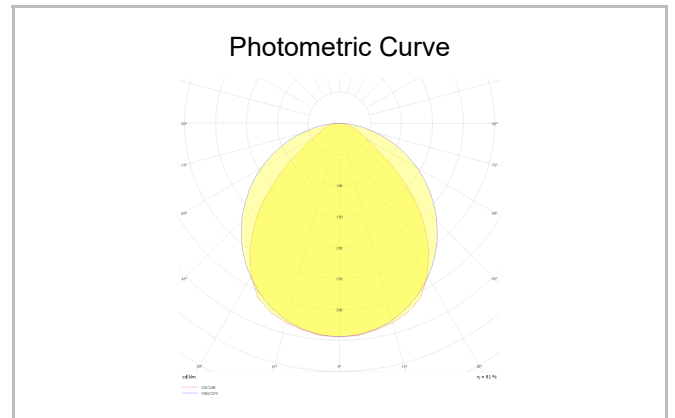
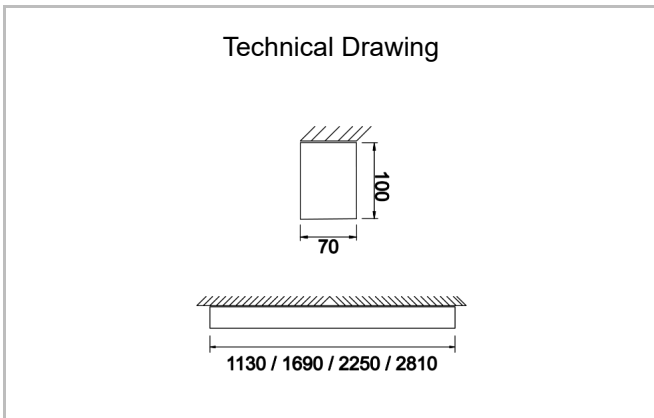


Surface Mounted Linear Luminary



<b>Luminaire Group</b>	Linear
<b>Mounting Type</b>	Surface Mounted
<b>Luminary Color</b>	RAL 9016 - RAL 9010
<b>Housing</b>	Aluminum extruded profile
<b>Optics</b>	Opal Diffuser
<b>Light Source</b>	LED
<b>Electrical Protection Class</b>	CLASS II
<b>IP</b>	40
<b>IK</b>	03
<b>Operating Temperature</b>	-20°C / +40°C
<b>Luminous Flux</b>	2376 lm / 3610 lm / 4751 lm / 6081 lm
<b>Consumption Power</b>	25 W / 38 W / 50 W / 64 W
<b>Luminaire Efficiency</b>	95 lm/W
<b>Color Rendering (CRI)</b>	>80
<b>Light Color Temperature (CCT)</b>	2700K/3000K/4000K/6500K
<b>Color Tolerance</b>	< 3 SDCM
<b>Driver Type</b>	On/Off
<b>Driver Brand</b>	Tridonic
<b>LED Brand</b>	Samsung
<b>Input Voltage / Frequency</b>	220-240 V AC 50/60 Hz
<b>Power Factor</b>	>0.9
<b>Surge</b>	1kV
<b>THD (AKIM)</b>	>%20
<b>LED life</b>	>70.000 hours



SKU	Product Code	Power (W)	Luminous Flux (LM)	CRI	CCT (K)	Optics	Dimensions (mm)
	OFL 073 113 025S 8040 10 99 OP 40 TK	25	2376	>80	4000	Opal / 120°	1130x73x100
	OFL 073 169 038S 8040 10 99 OP 40 TK	38	3610	>80	4000	Opal / 120°	1690x73x100
	OFL 073 225 050S 8040 10 99 OP 40 TK	50	4751	>80	4000	Opal / 120°	2250x73x100
	OFL 073 281 064S 8040 10 99 OP 40 TK	64	6081	>80	4000	Opal / 120°	2810x73x100