

Sole

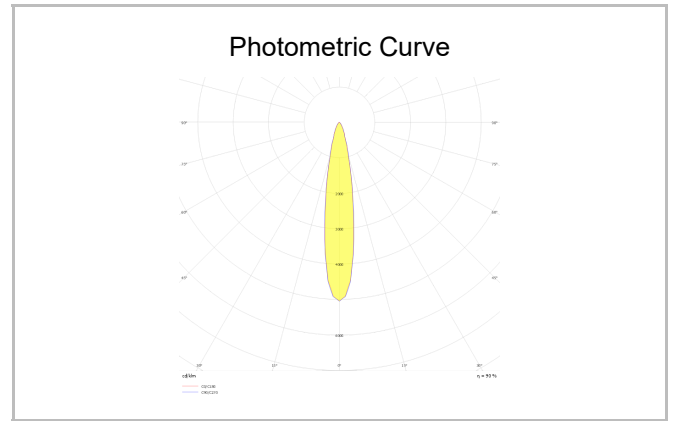
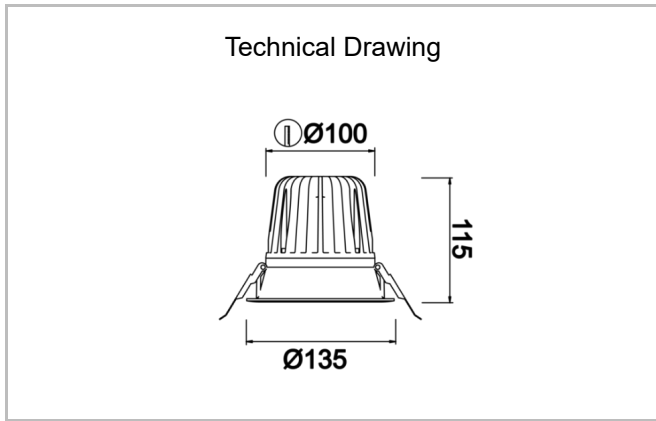
SOL 013 011 013A 8040 10 55 RF 40 00



Recessed Downlight & Spot Luminary



| | |
|--------------------------------------|--|
| Luminaire Group | Downlight & Spot |
| Mounting Type | Recessed |
| Luminary Color | RAL 9010 - RAL 9005 |
| Housing | Aluminum Extrusion |
| Optics | 19° 30° 55° Reflector & Transparent Diffuser |
| Light Source | LED |
| Electrical Protection Class | CLASS II |
| IP | 40 |
| IK | 02 |
| Operating Temperature | -20°C / +40°C |
| Luminous Flux | 1040 |
| Consumption Power | 13 |
| Luminaire Efficiency | 80 lm/W |
| Color Rendering (CRI) | >80 |
| Light Color Temperature (CCT) | 2700K/3000K/4000K/6500K |
| Color Tolerance | < 3 SDCM |
| Driver Type | On/Off |
| Driver Brand | Tridonic |
| LED Brand | Samsung |
| Input Voltage / Frequency | 220-240 V AC 50/60 Hz |
| Power Factor | >0.9 |
| Surge | 1kV |
| THD (AKIM) | >%20 |
| LED life | >100.000 hours |
| Option | On-Off / Dali / 1-10V / With Emergency Kit |



| SKU | Product Code | Power (W) | Luminous Flux (LM) | CRI | CCT (K) | Optics | Dimensions (mm) |
|----------|--------------------------------------|-----------|--------------------|-----|---------|---------------|-----------------|
| 13002681 | SOL 013 011 013A 8040 10 55 RF 40 00 | 13 | 1040 | >80 | 4000 | 55° Reflector | Ø135x115 |

www.atellighting.com