

# Protector

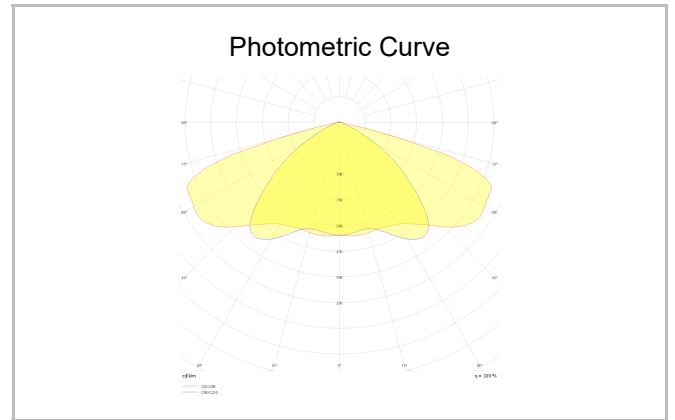
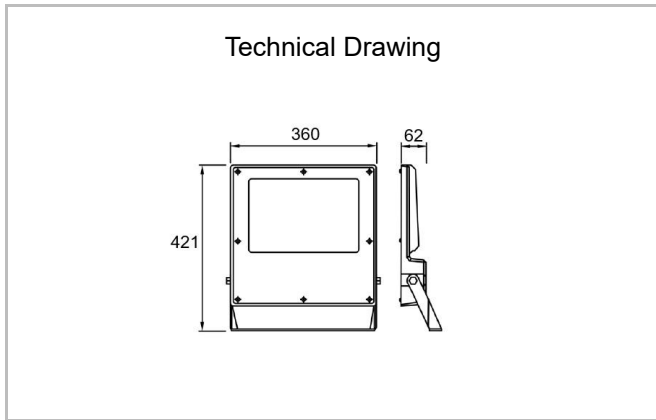
PRD 036 042 200Y 8030 10 SM LN 66 00



Pole Mounted Road Lighting & Floodlight Luminaire



<b>Luminaire Group</b>	Road Lighting & Floodlight
<b>Mounting Type</b>	Pole Mounted
<b>Luminaire Color</b>	RAL 9005
<b>Housing</b>	Electrostatic Powder Coated Aluminium
<b>Optics</b>	4 mm Tempered Glass
<b>Light Source</b>	Mid Power LED
<b>Electrical Protection Class</b>	CLASS II
<b>IP</b>	66
<b>IK</b>	08
<b>Operating Temperature</b>	-20°C / +40°C
<b>Luminous Flux</b>	26000
<b>Consumption Power</b>	200
<b>Luminaire Efficiency</b>	130 lm/W
<b>Color Rendering (CRI)</b>	70
<b>Light Color Temperature (CCT)</b>	3000
<b>Color Tolerance</b>	< 3 SDCM
<b>Driver Type</b>	On/Off
<b>Input Voltage / Frequency</b>	220-240 V AC 50/60 Hz
<b>Power Factor</b>	>0.9
<b>Surge</b>	1kV
<b>THD (AKIM)</b>	>%20
<b>LED life</b>	>100.000 hours
<b>Option</b>	SPD, IP68 Connector



SKU	Product Code	Power (W)	Luminous Flux (LM)	CRI	CCT (K)	Optics	Dimensions (mm)
	PRD 036 042 200Y 8030 10 SM LN 66 00	200	26000	70	3000	Symmetrical Lens	421x360x62