

# Protector

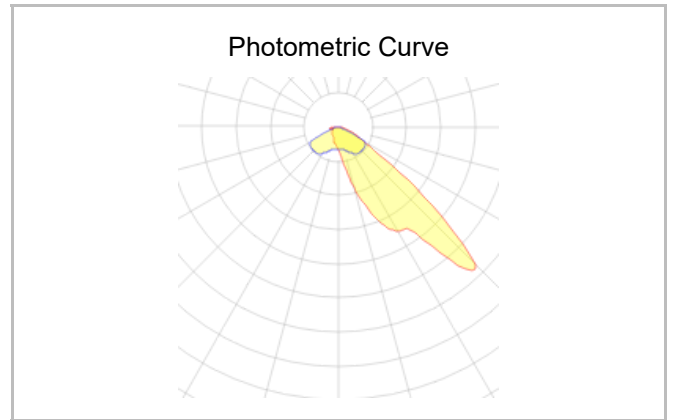
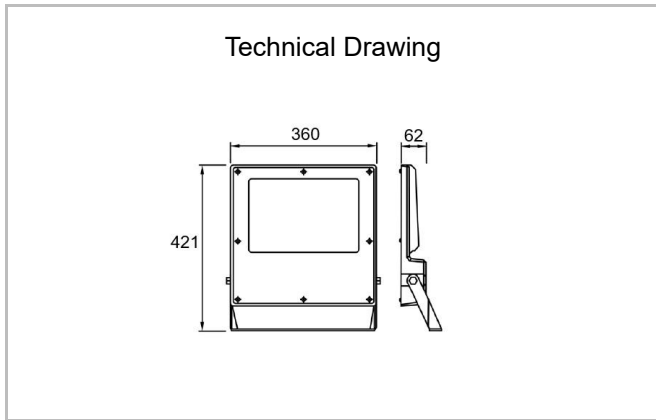
PRD 036 042 200Y 8030 10 AS LN 66 00



Pole Mounted Road Lighting & Floodlight Luminaire



|                                      |                                       |
|--------------------------------------|---------------------------------------|
| <b>Luminaire Group</b>               | Road Lighting & Floodlight            |
| <b>Mounting Type</b>                 | Pole Mounted                          |
| <b>Luminaire Color</b>               | RAL 9005                              |
| <b>Housing</b>                       | Electrostatic Powder Coated Aluminium |
| <b>Optics</b>                        | 4 mm Tempered Glass                   |
| <b>Light Source</b>                  | Mid Power LED                         |
| <b>Electrical Protection Class</b>   | CLASS II                              |
| <b>IP</b>                            | 66                                    |
| <b>IK</b>                            | 08                                    |
| <b>Operating Temperature</b>         | -20°C / +40°C                         |
| <b>Luminous Flux</b>                 | 26000                                 |
| <b>Consumption Power</b>             | 200                                   |
| <b>Luminaire Efficiency</b>          | 130 lm/W                              |
| <b>Color Rendering (CRI)</b>         | 70                                    |
| <b>Light Color Temperature (CCT)</b> | 3000                                  |
| <b>Color Tolerance</b>               | < 3 SDCM                              |
| <b>Driver Type</b>                   | On/Off                                |
| <b>Input Voltage / Frequency</b>     | 220-240 V AC 50/60 Hz                 |
| <b>Power Factor</b>                  | >0.9                                  |
| <b>Surge</b>                         | 1kV                                   |
| <b>THD (AKIM)</b>                    | >%20                                  |
| <b>LED life</b>                      | >100.000 hours                        |
| <b>Option</b>                        | SPD, IP68 Connector                   |



| SKU | Product Code                         | Power (W) | Luminous Flux (LM) | CRI | CCT (K) | Optics            | Dimensions (mm) |
|-----|--------------------------------------|-----------|--------------------|-----|---------|-------------------|-----------------|
|     | PRD 036 042 200Y 8030 10 AS LN 66 00 | 200       | 26000              | 70  | 3000    | Asymmetrical Lens | 421x360x62      |