

Promete S

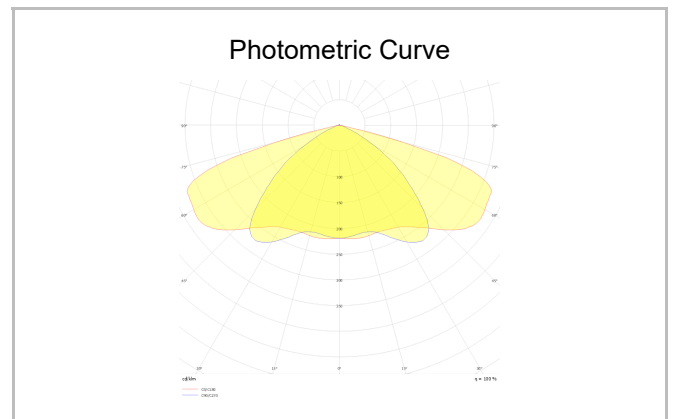
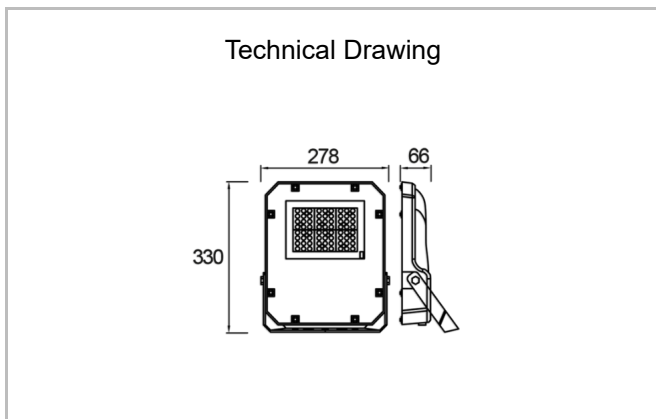
PMT 028 033 100Y 8040 10 AS LN 66 00



Road Lighting & Floodlight Luminary



| | |
|--------------------------------------|--|
| Luminaire Group | Road Lighting & Floodlight |
| Luminary Color | RAL 9005 |
| Housing | Aluminum Injection |
| Optics | Symmetrical / Asymmetrical° Lens & Tempered Glass |
| Light Source | LED |
| Electrical Protection Class | CLASS II |
| IP | 66 |
| IK | 08 |
| Operating Temperature | -40°C / +55°C |
| Luminous Flux | 10900 |
| Consumption Power | 100 |
| Luminaire Efficiency | 120 lm/W |
| Color Rendering (CRI) | >70 |
| Light Color Temperature (CCT) | 3000K/4000K/6500K |
| Color Tolerance | < 3 SDCM |
| Driver Type | On/Off |
| Input Voltage / Frequency | 220-240 V AC 50/60 Hz |
| Power Factor | >0.9 |
| Surge | 1kV |
| THD (AKIM) | >%20 |
| LED life | >100.000 hours |



| SKU | Product Code | Power (W) | Luminous Flux (LM) | CRI | CCT (K) | Optics | Dimensions (mm) |
|-----|--------------------------------------|-----------|--------------------|-----|---------|-----------------|-----------------|
| | PMT 028 033 100Y 8040 10 AS LN 66 00 | 100 | 10900 | >70 | 4000 | Asymmetric Lens | 278x330x66 |

www.atelighting.com