

Exit

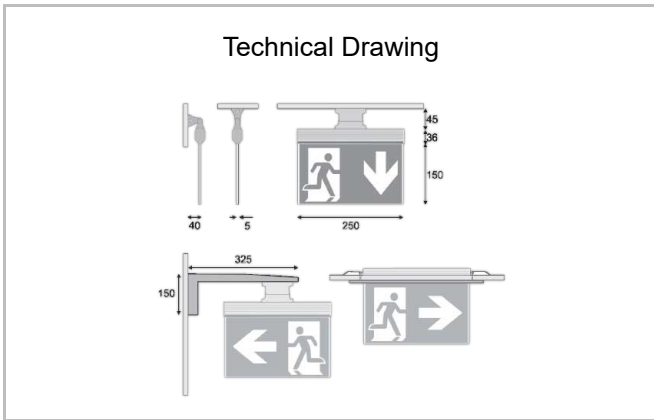
EXT 025 015 02S 8065 11 99 SD 40 00



Surface Mounted Emergency and Routing Luminaire



Luminaire Group	Emergency and Routing
Mounting Type	Surface Mounted
Housing	Plexiglas
Optics	Plexiglas & Flag
Light Source	LED
Electrical Protection Class	CLASS I
IP	40
IK	02
Operating Temperature	-20°C / +40°C
Luminous Flux	180
Consumption Power	2
Luminaire Efficiency	80 lm/W
Color Rendering (CRI)	>80
Light Color Temperature (CCT)	6500K
Color Tolerance	< 3 SDCM
Driver Type	On/Off
Driver Brand	Tridonic
LED Brand	Samsung
Input Voltage / Frequency	220-240 V AC 50/60 Hz
Power Factor	>0.9
Surge	1kV
THD (AKIM)	>%20
LED life	>70.000 hours
Option	1 Hour - 3 Hours / Dali



SKU	Product Code	Power (W)	Luminous Flux (LM)	CRI	CCT (K)	Optics	Dimensions (mm)
	EXT 025 015 02S 8065 11 99 SD 40 00	2	180	>80	4000	360° Plexiglas	250X150