

Glow 3X

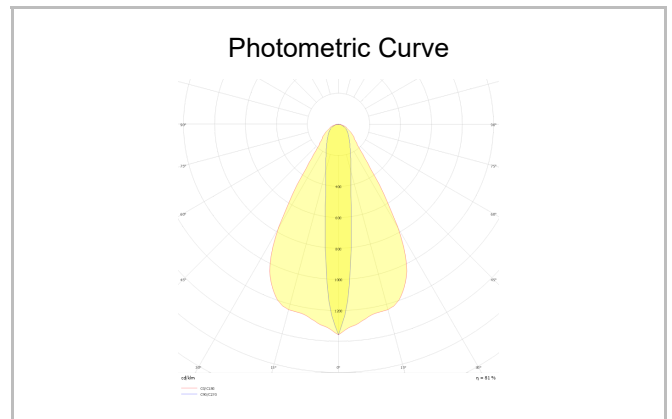
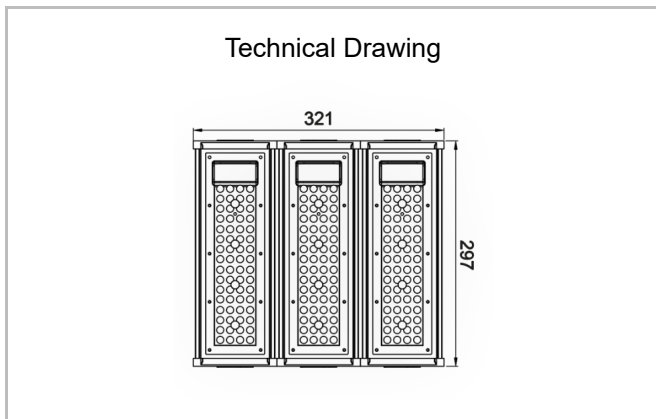
GLW 010 078 145S 8040 10 02 LN 66 00



Industrial Luminary



Luminaire Group	Industrial
Luminary Color	RAL 9005
Housing	Electrostatic Powder Coated Aluminum Extrusion Body
Optics	60° / 90° / 30x70° Lens & Tempered Glass
Light Source	LED
Electrical Protection Class	CLASS II
IP	66
IK	09
Operating Temperature	-20°C / +40°C
Luminous Flux	22237
Consumption Power	145
Luminaire Efficiency	153,36 lm/W
Color Rendering (CRI)	>80
Light Color Temperature (CCT)	2700K / 3000K / 4000K / 6500K
Color Tolerance	< 3 SDCM
Driver Type	On/Off
Driver Brand	Tridonic
LED Brand	Samsung
Input Voltage / Frequency	220-240 V AC 50/60 Hz
Power Factor	>0.9
Surge	1kV
THD (AKIM)	>%20
LED life	100.000 hours
Option	On-Off / Dali / 1-10V / With Emergency Kit / Industrial /Temperli Cam



SKU	Product Code	Power (W)	Luminous Flux (LM)	CRI	CCT (K)	Optics	Dimensions (mm)
	GLW 010 078 145S 8040 10 02 LN 66 00	145	22237	>80	4000	30°x70° Lens	293x321x81

www.atellighting.com