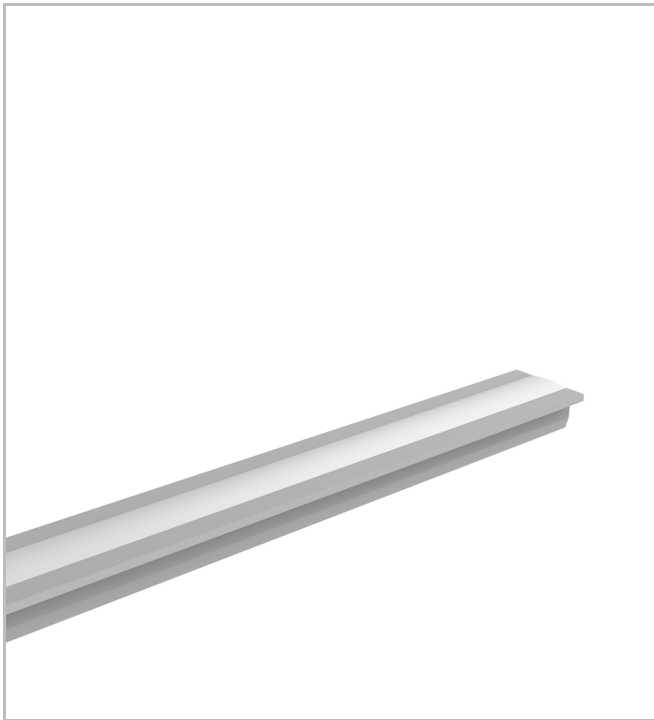


Hidline R

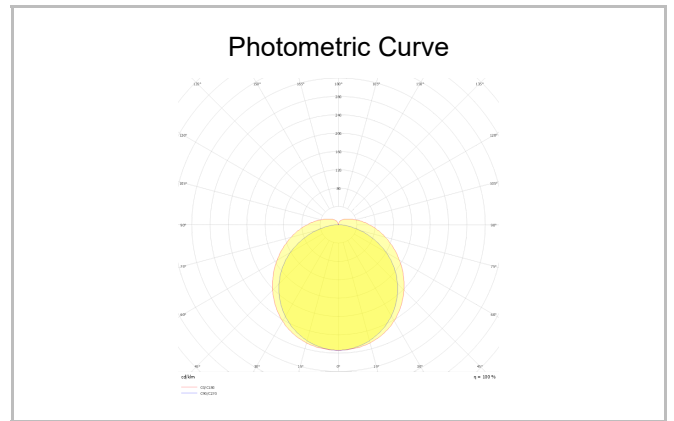
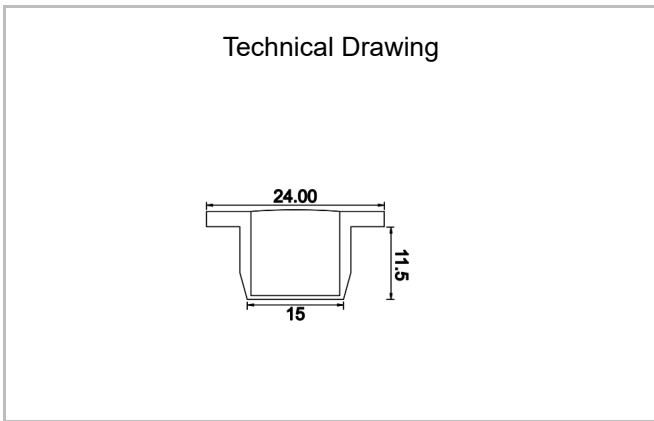
HID 024 100 012A 8040 10 99 OP 24 00



Recessed Cove Lighting Luminaire



Luminaire Group	Cove Lighting
Mounting Type	Recessed
Housing	Aluminum Profile
Optics	Diffuser
Light Source	LED
Electrical Protection Class	CLASS II
IP	20
IK	03
Operating Temperature	-20°C / +40°C
Luminous Flux	960
Consumption Power	12
Luminaire Efficiency	80 lm/W
Color Rendering (CRI)	>80
Light Color Temperature (CCT)	2700K/3000K/4000K/6500K
Color Tolerance	< 3 SDCM
Driver Type	On/Off
Driver Brand	Tridonic
LED Brand	Samsung
Input Voltage / Frequency	220-240 V AC 50/60 Hz
Power Factor	>0.9
Surge	1kV
THD (AKIM)	>%20
LED life	>70.000 hours
Option	On-Off / Dali / 1-10V / With Emergency Kit



SKU	Product Code	Power (W)	Luminous Flux (LM)	CRI	CCT (K)	Optics	Dimensions (mm)
12300005	HID 024 100 012A 8040 10 99 OP 24 00	12	960	>80	4000	130° Diffuser	1000x24x11,5

www.atellighting.com