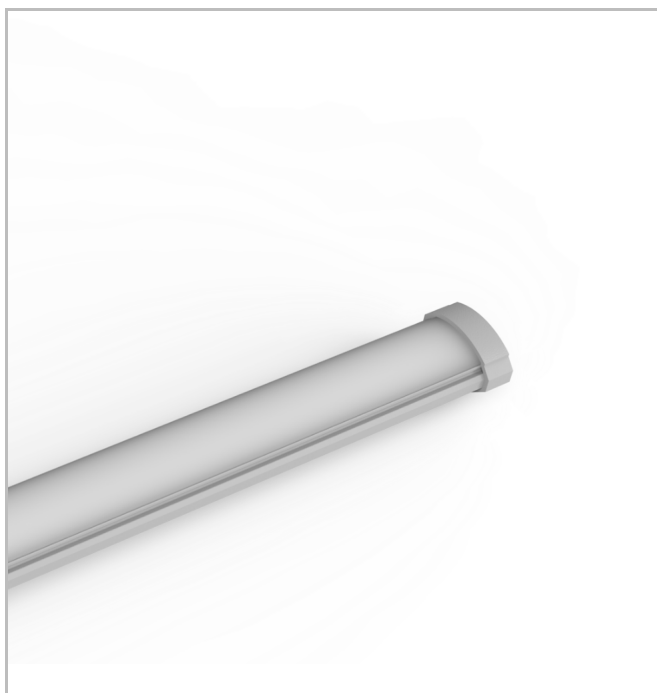


Hidline Corner

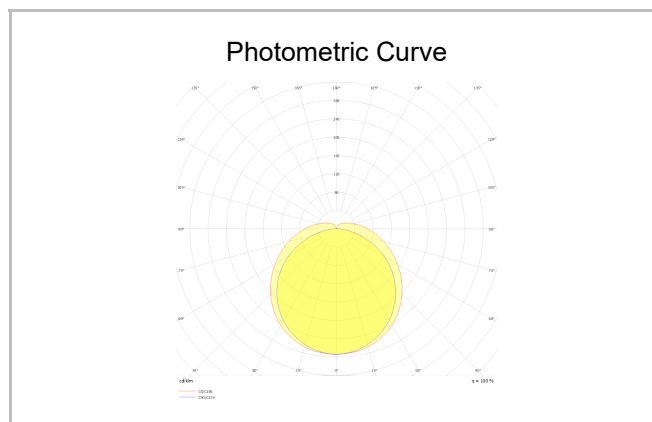
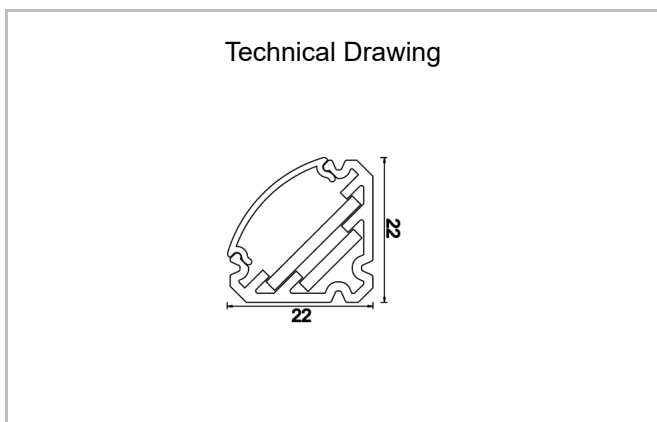
HID 022 100 010S 8030 10 99 OP 44 00



Surface Mounted Cove Lighting Luminaire



Luminaire Group	Cove Lighting
Mounting Type	Surface Mounted
Housing	Aluminum Profile
Optics	Opal Diffuser
Light Source	LED
Electrical Protection Class	CLASS II
IP	20
IK	03
Operating Temperature	-20°C / +40°C
Luminous Flux	960
Consumption Power	12
Luminaire Efficiency	80 lm/W
Color Rendering (CRI)	>80
Light Color Temperature (CCT)	3500K
Color Tolerance	< 3 SDCM
Driver Type	On/Off
Driver Brand	Tridonic
LED Brand	Samsung
Input Voltage / Frequency	220-240 V AC 50/60 Hz
Power Factor	>0.9
Surge	1kV
THD (AKIM)	>%20
LED life	>70.000 hours
Option	On-Off / Dali / 1-10V



SKU	Product Code	Power (W)	Luminous Flux (LM)	CRI	CCT (K)	Optics	Dimensions (mm)
	HID 022 100 010S 8030 10 99 OP 44 00	12	960	>80	4000	130° Polycarbonat e Acrylic	1000x22x22