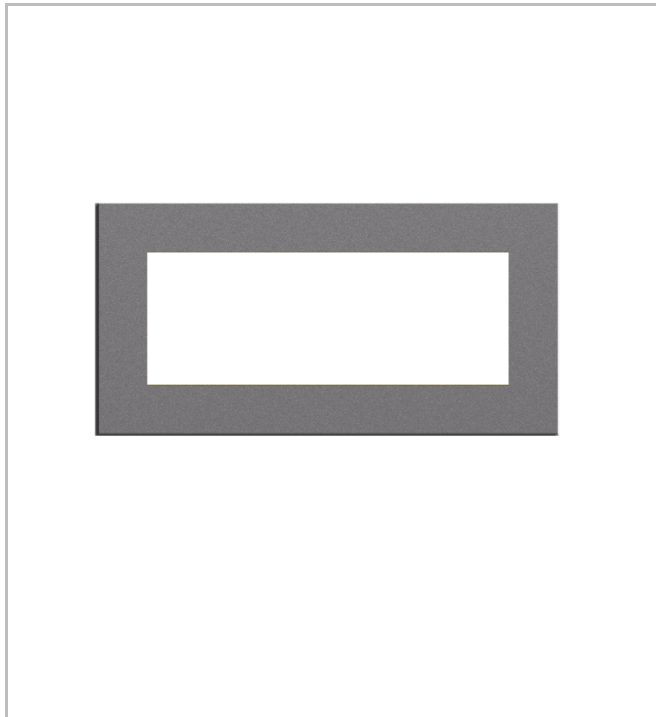


StepLine & StepL

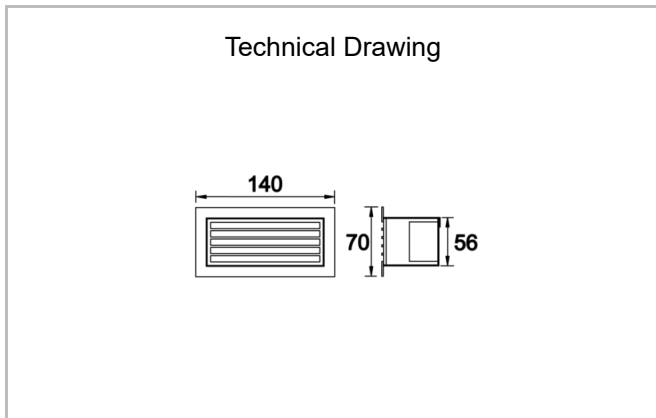
STL 140 070 006S 8030 10 99 CA 65 00



Facade & Landscape Luminary



Luminaire Group	Facade & Landscape
Luminary Color	RAL 9005 - RAL 9006 - RAL 9010
Housing	Aluminum
Optics	Tempered Glass
Light Source	LED
Electrical Protection Class	CLASS II
IP	65
IK	09
Operating Temperature	-20°C / +40°C
Luminous Flux	540
Consumption Power	6
Luminaire Efficiency	920 lm/W
Color Rendering (CRI)	>80
Light Color Temperature (CCT)	2700K/3000K/4000K/6500K
Color Tolerance	< 3 SDCM
Driver Type	On/Off
Driver Brand	Tridonic
LED Brand	Samsung
Input Voltage / Frequency	220-240 V AC 50/60 Hz
Power Factor	>0.9
Surge	1kV
THD (AKIM)	>%20
LED life	>70.000 hours
Option	On-Off / Dali / 1-10V



SKU	Product Code	Power (W)	Luminous Flux (LM)	CRI	CCT (K)	Optics	Dimensions (mm)
	STL 140 070 006S 8030 10 99 CA 65 00	6	540	>80	4000	SM° Reflector	70x140x56

www.atellighting.com