

Ogen

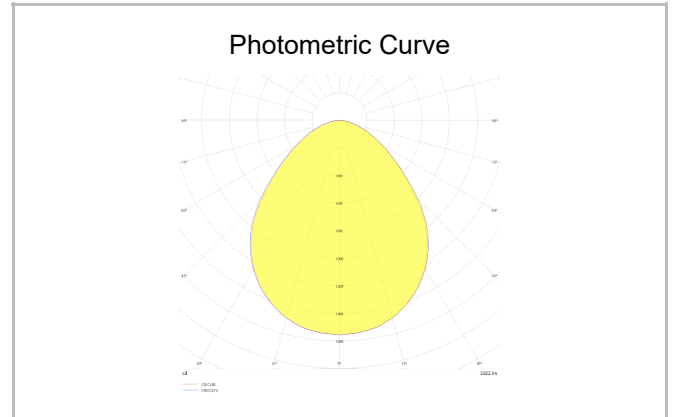
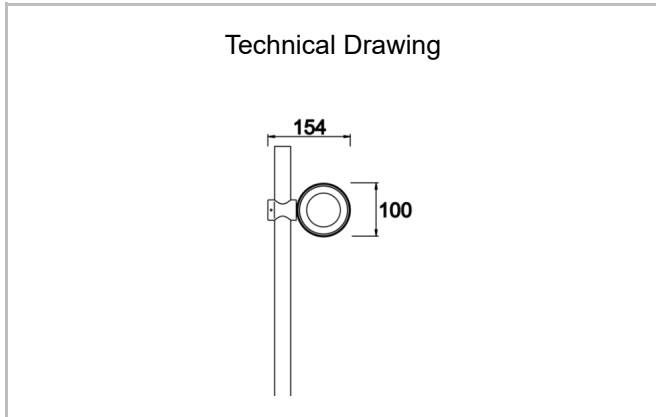
OGN 010 010 010M 8040 10 90 LN 20 00



Pole Mounted Park & Garden Luminary



Luminaire Group	Park & Garden
Mounting Type	Pole Mounted
Luminaire Color	RAL 9006 - RAL 9005 - RAL 9010
Housing	Aluminum Extrusion
Optics	12° 40° 90° Reflector
Light Source	LED
Electrical Protection Class	CLASS II
IP	66
IK	08
Operating Temperature	-20°C / +40°C
Luminous Flux	900
Consumption Power	10
Luminaire Efficiency	90 lm/W
Color Rendering (CRI)	>80
Light Color Temperature (CCT)	2700K/3000K/4000K/6500K
Color Tolerance	< 3 SDCM
Driver Type	On/Off
Driver Brand	Tridonic
LED Brand	Samsung
Input Voltage / Frequency	220-240 V AC 50/60 Hz
Power Factor	>0.9
Surge	1kV
THD (AKIM)	>%20
LED life	>70.000 hours
Option	On-Off / Dali / 1-10V



SKU	Product Code	Power (W)	Luminous Flux (LM)	CRI	CCT (K)	Optics	Dimensions (mm)
	OGN 010 010 010M 8040 10 90 LN 20 00	10	900	>80	4000	90° Reflector	Ø100