

Robbins

ROB 024 066 020M 8027 10 99 PC 20 00

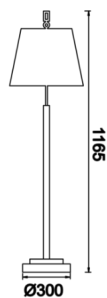
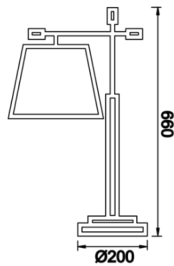


Surface Mounted Floor Lamp and Lampshade Luminary



Luminaire Group	Floor Lamp and Lampshade
Mounting Type	Surface Mounted
Luminary Color	RAL 9005 - RAL 9006 - RAL 9010
Housing	DKP Sheet
Optics	Fabric Over PVC
Light Source	E27
Electrical Protection Class	CLASS II
IP	20
IK	02
Operating Temperature	-20°C / +40°C
Luminous Flux	
Consumption Power	20
Color Rendering (CRI)	>80
Light Color Temperature (CCT)	2700K
Color Tolerance	< 3 SDCM
Driver Type	On/Off
Input Voltage / Frequency	220-240 V AC 50/60 Hz
Power Factor	>0.9
Surge	1kV
THD (AKIM)	>%20
Option	On-Off

Technical Drawing



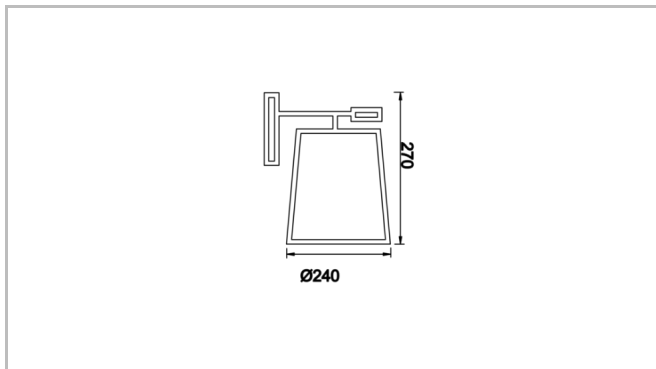
www.atelighting.com

Robbins

ROB 024 066 020M 8027 10 99 PC 20 00



Surface Mounted Floor Lamp and Lampshade Luminary



SKU	Product Code	Power (W)	Luminous Flux (LM)	CRI	CCT (K)	Optics	Dimensions (mm)
	ROB 024 066 020M 8027 10 99 PC 20 00	20		>80	4000	360° E27	Ø240x660