

Headboard

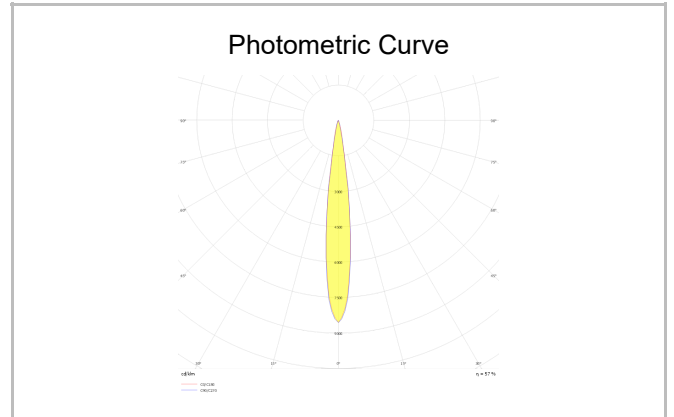
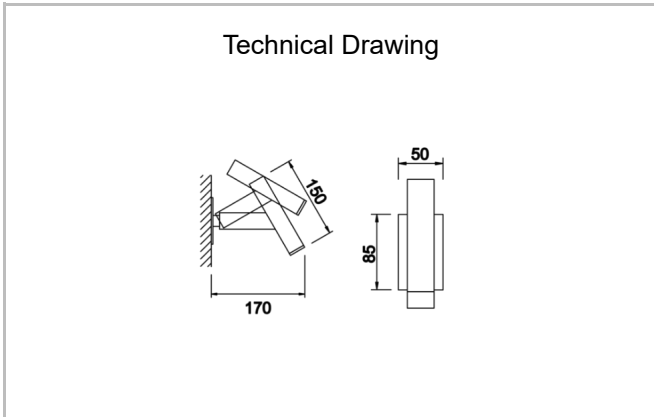
HDB 015 017 001D 8027 10 10 LN 20 00



Surface Mounted Floor Lamp and Lampshade Luminary



Luminaire Group	Floor Lamp and Lampshade
Mounting Type	Surface Mounted
Luminaire Color	RAL 9005 - RAL 9006 - RAL 9010
Housing	DKP Sheet
Optics	10° Lens
Light Source	LED
Electrical Protection Class	CLASS II
IP	20
IK	02
Operating Temperature	-20°C / +40°C
Luminous Flux	
Consumption Power	2
Luminaire Efficiency	80 lm/W
Color Rendering (CRI)	>80
Light Color Temperature (CCT)	2700K/3000K/4000K/6500K
Color Tolerance	< 3 SDCM
Driver Type	On/Off
Driver Brand	Tridonic
LED Brand	Samsung
Input Voltage / Frequency	220-240 V AC 50/60 Hz
Power Factor	>0.9
Surge	1kV
THD (AKIM)	>%20
LED life	>70.000 hours
Option	On-Off / Dali / 1-10V



SKU	Product Code	Power (W)	Luminous Flux (LM)	CRI	CCT (K)	Optics	Dimensions (mm)
18000189	HDB 015 017 001D 8027 10 10 LN 20 00	2		>80	4000	10° Lens	Ø50x150x170

www.atellighting.com