

Cioran

COR 017 042 020D 8027 10 99 PC 20 00

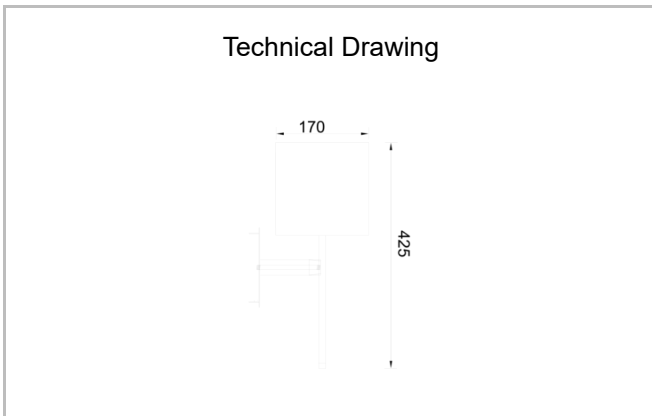


Surface Mounted Floor Lamp and Lampshade Luminaire



Luminaire Group	Floor Lamp and Lampshade
Mounting Type	Surface Mounted
Luminaire Color	RAL 9005 - RAL 9006 - RAL 9010
Housing	DKP Sheet
Optics	Fabric Over PVC
Light Source	E27
Electrical Protection Class	CLASS II
IP	20
IK	02
Operating Temperature	-20°C / +40°C
Luminous Flux	
Consumption Power	20
Color Rendering (CRI)	>80
Light Color Temperature (CCT)	2700K
Color Tolerance	< 3 SDCM
Driver Type	On/Off
Input Voltage / Frequency	220-240 V AC 50/60 Hz
Power Factor	>0.9
Surge	1kV
THD (AKIM)	>%20
Option	On-Off / Dali / 1-10V / With Emergency Kit

Technical Drawing



SKU	Product Code	Power (W)	Luminous Flux (LM)	CRI	CCT (K)	Optics	Dimensions (mm)
	COR 017 042 020D 8027 10 99 PC 20 00	20		>80	4000	360° E27	Ø170x425

www.atellighting.com