

Maldive S

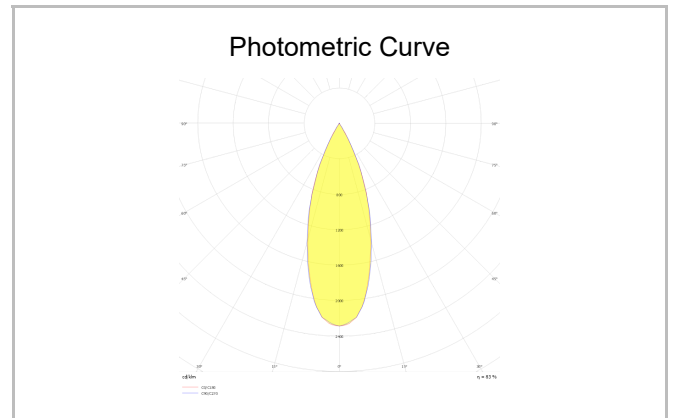
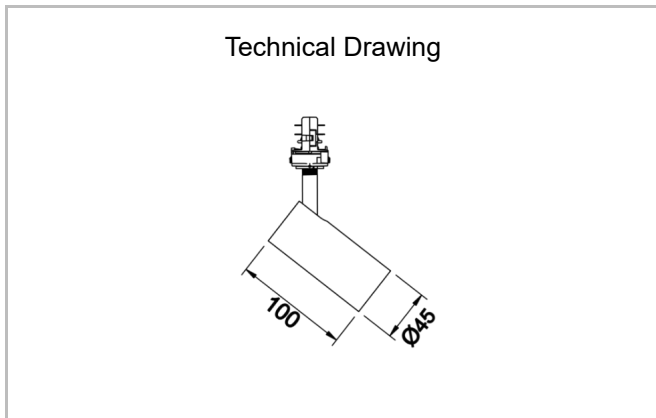
MLD 004 010 004W 9040 10 36 SD 44 00



Track Lighting Luminary



| | |
|--------------------------------------|--------------------------------|
| Luminaire Group | Track Lighting |
| Luminary Color | RAL 9005 - RAL 9006 - RAL 9010 |
| Housing | Aluminum Injection |
| Optics | 15° 24° 36° Reflector |
| Light Source | LED |
| Electrical Protection Class | CLASS II |
| IP | 44 |
| IK | 02 |
| Operating Temperature | -20°C / +40°C |
| Luminous Flux | 480 |
| Consumption Power | 4 |
| Luminaire Efficiency | 130 lm/W |
| Color Rendering (CRI) | >80 |
| Light Color Temperature (CCT) | 2700K/3000K/4000K/6500K |
| Color Tolerance | < 3 SDCM |
| Driver Type | On/Off |
| Driver Brand | Tridonic |
| LED Brand | Samsung |
| Input Voltage / Frequency | 220-240 V AC 50/60 Hz |
| Power Factor | >0.9 |
| Surge | 1kV |
| THD (AKIM) | >%20 |
| LED life | >70.000 hours |
| Option | On-Off / Dali / 1-10V |



| SKU | Product Code | Power (W) | Luminous Flux (LM) | CRI | CCT (K) | Optics | Dimensions (mm) |
|----------|--------------------------------------|-----------|--------------------|-----|---------|---------------|-----------------|
| 17001028 | MLD 004 010 004W 9040 10 36 SD 44 00 | 4 | 480 | >80 | 4000 | 36° Reflector | Ø45x100 |

www.atellighting.com