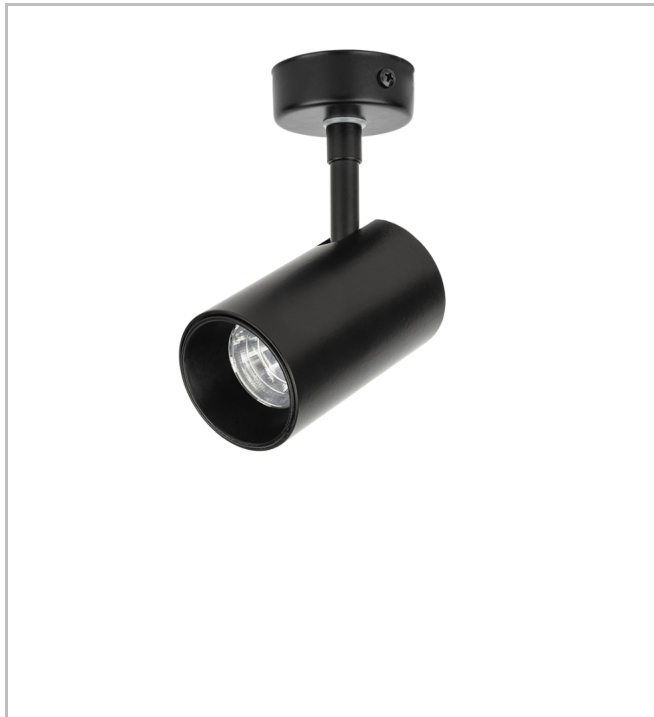


# Maldive S

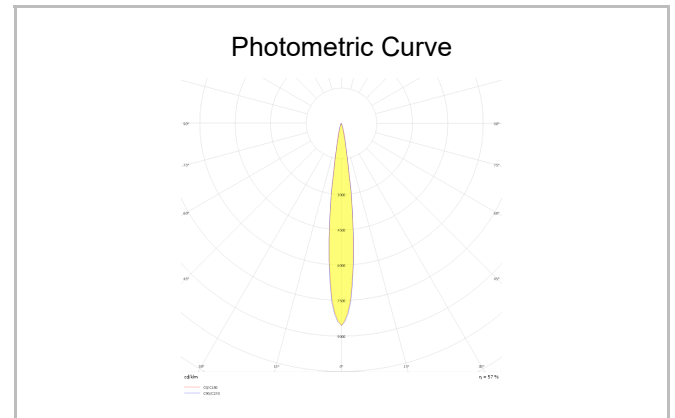
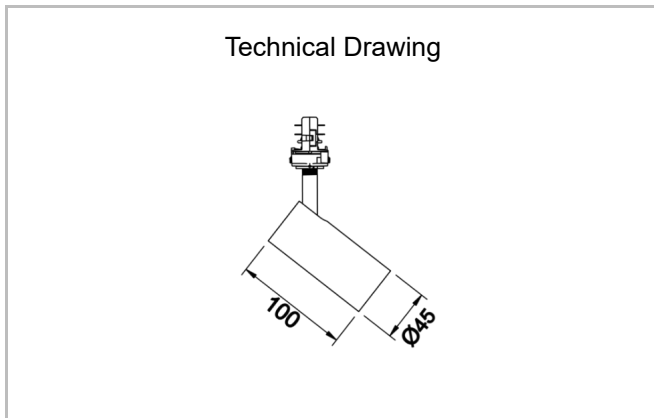
MLD 004 010 004W 9040 10 15 SD 44 00



Track Lighting Luminary



|                                      |                                |
|--------------------------------------|--------------------------------|
| <b>Luminaire Group</b>               | Track Lighting                 |
| <b>Luminary Color</b>                | RAL 9005 - RAL 9006 - RAL 9010 |
| <b>Housing</b>                       | Aluminum Injection             |
| <b>Optics</b>                        | 15° 24° 36° Reflector          |
| <b>Light Source</b>                  | LED                            |
| <b>Electrical Protection Class</b>   | CLASS II                       |
| <b>IP</b>                            | 44                             |
| <b>IK</b>                            | 02                             |
| <b>Operating Temperature</b>         | -20°C / +40°C                  |
| <b>Luminous Flux</b>                 | 480                            |
| <b>Consumption Power</b>             | 4                              |
| <b>Luminaire Efficiency</b>          | 130 lm/W                       |
| <b>Color Rendering (CRI)</b>         | >80                            |
| <b>Light Color Temperature (CCT)</b> | 2700K/3000K/4000K/6500K        |
| <b>Color Tolerance</b>               | < 3 SDCM                       |
| <b>Driver Type</b>                   | On/Off                         |
| <b>Driver Brand</b>                  | Tridonic                       |
| <b>LED Brand</b>                     | Samsung                        |
| <b>Input Voltage / Frequency</b>     | 220-240 V AC 50/60 Hz          |
| <b>Power Factor</b>                  | >0.9                           |
| <b>Surge</b>                         | 1kV                            |
| <b>THD (AKIM)</b>                    | >%20                           |
| <b>LED life</b>                      | >70.000 hours                  |
| <b>Option</b>                        | On-Off / Dali / 1-10V          |



| SKU      | Product Code                         | Power (W) | Luminous Flux (LM) | CRI | CCT (K) | Optics        | Dimensions (mm) |
|----------|--------------------------------------|-----------|--------------------|-----|---------|---------------|-----------------|
| 17001012 | MLD 004 010 004W 9040 10 15 SD 44 00 | 4         | 480                | >80 | 4000    | 15° Reflector | Ø45x100         |

[www.atellighting.com](http://www.atellighting.com)