

Person Line

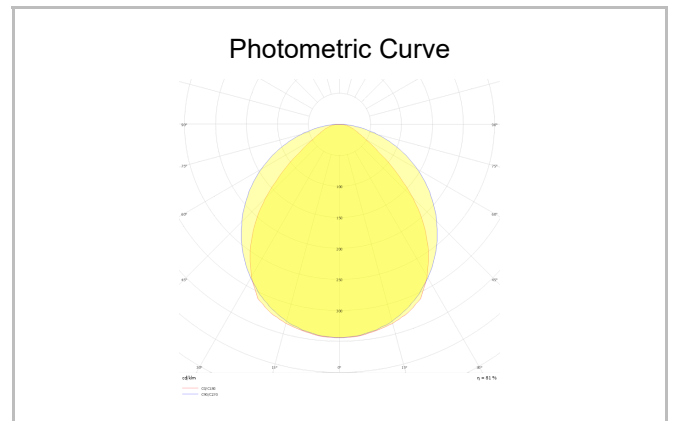
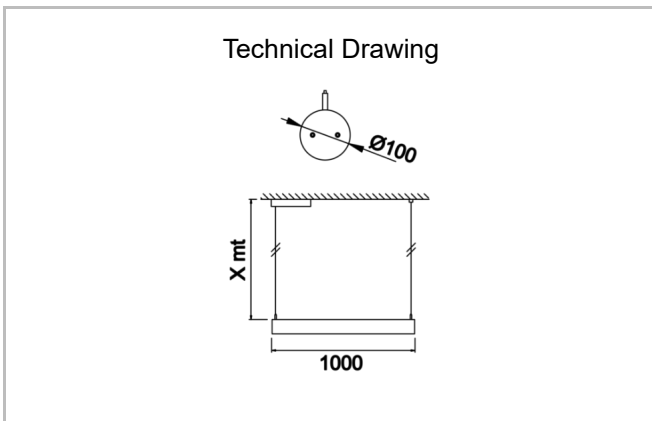
PRL 100 010 048P 8040 10 99 OP 20 00



Pendant Luminaire



Luminaire Group	Pendant
Mounting Type	Pendant
Luminaire Color	RAL 9005 - RAL 9006 - RAL 9010
Housing	Aluminum
Optics	Acrylic
Light Source	LED
Electrical Protection Class	CLASS II
IP	20
IK	02
Operating Temperature	-20°C / +40°C
Luminous Flux	4400
Consumption Power	48
Luminaire Efficiency	91,6 lm/W
Color Rendering (CRI)	>80
Light Color Temperature (CCT)	2700K/3000K/4000K/6500K
Color Tolerance	< 3 SDCM
Driver Type	On/Off
Driver Brand	Tridonic
LED Brand	Samsung
Input Voltage / Frequency	220-240 V AC 50/60 Hz
Power Factor	>0.9
Surge	1kV
THD (AKIM)	>%20
LED life	>70.000 hours
Option	On-Off / Dali / 1-10V / With Emergency Kit



SKU	Product Code	Power (W)	Luminous Flux (LM)	CRI	CCT (K)	Optics	Dimensions (mm)
19000149	PRL 100 010 048P 8040 10 99 OP 20 00	48	4400	>80	4000	120° Diffuser	Ø100x1000

www.atellighting.com