

Coolie S & M & L

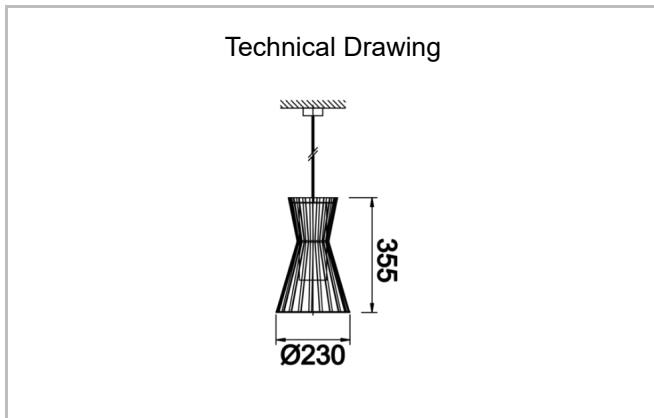
COL 027 041 150P 0040 10 99 AP 40 00



Pendant Luminary



Luminaire Group	Pendant
Mounting Type	Pendant
Luminaire Color	RAL 9005 - RAL 9006 - RAL 9010
Housing	DKP Sheet
Optics	E27 Headlight
Electrical Protection Class	CLASS II
IP	20
IK	02
Operating Temperature	-20°C / +40°C
Luminous Flux	33
Consumption Power	33
Luminaire Efficiency	lm/W
Color Rendering (CRI)	>80
Light Color Temperature (CCT)	>80
Color Tolerance	< 3 SDCM
Driver Type	On/Off
Driver Brand	Tridonic
Input Voltage / Frequency	220-240 V AC 50/60 Hz
Power Factor	>0.9
Surge	1kV
THD (AKIM)	>%20
LED life	>16.000 hours
Option	On-Off / Dali / 1-10V / With Emergency Kit



SKU	Product Code	Power (W)	Luminous Flux (LM)	CRI	CCT (K)	Optics	Dimensions (mm)
19000189	COL 027 041 150P 0040 10 99 AP 40 00	33	>80	4000	E27	Ø230x355	

www.atellighting.com