

Coolie S & M & L

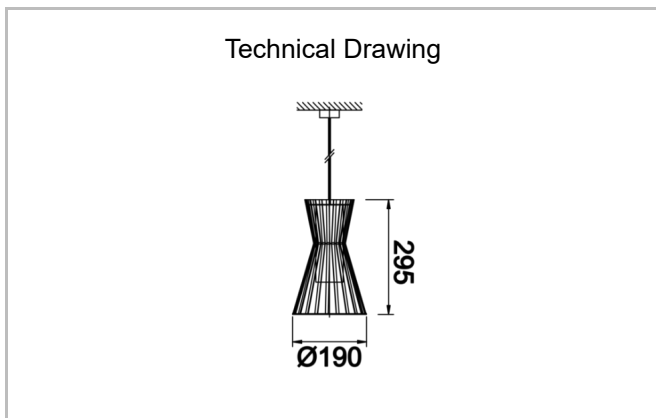
COL 019 029 150P 0040 10 99 AP 40 00



Pendant Luminary



| | |
|--------------------------------------|--|
| Luminaire Group | Pendant |
| Mounting Type | Pendant |
| Luminaire Color | RAL 9005 - RAL 9006 - RAL 9010 |
| Housing | DKP Sheet |
| Optics | E27 Headlight |
| Electrical Protection Class | CLASS II |
| IP | 20 |
| IK | 02 |
| Operating Temperature | -20°C / +40°C |
| Luminous Flux | |
| Consumption Power | 150 |
| Luminaire Efficiency | lm/W |
| Color Rendering (CRI) | >80 |
| Light Color Temperature (CCT) | |
| Color Tolerance | < 3 SDCM |
| Driver Type | On/Off |
| Driver Brand | Tridonic |
| Input Voltage / Frequency | 220-240 V AC 50/60 Hz |
| Power Factor | >0.9 |
| Surge | 1kV |
| THD (AKIM) | >%20 |
| LED life | >16.000 hours |
| Option | On-Off / Dali / 1-10V / With Emergency Kit |



| SKU | Product Code | Power (W) | Luminous Flux (LM) | CRI | CCT (K) | Optics | Dimensions (mm) |
|----------|--------------------------------------|-----------|--------------------|-----|---------|--------|-----------------|
| 19000173 | COL 019 029 150P 0040 10 99 AP 40 00 | 150 | | >80 | 4000 | E27 | Ø270x410 |

www.atellighting.com