

# Dif M

DIF 010 020 009S 8040 10 15 SD 65 00

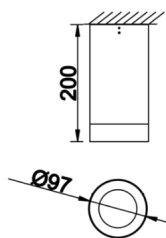


Surface Mounted Luminaire

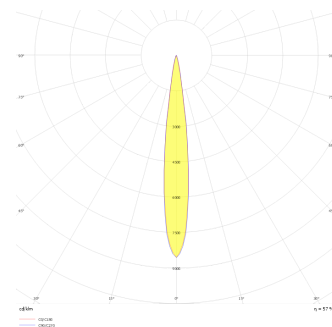


|                                      |                                              |
|--------------------------------------|----------------------------------------------|
| <b>Luminaire Group</b>               | Surface Mounted                              |
| <b>Mounting Type</b>                 | Surface Mounted                              |
| <b>Luminaire Color</b>               | RAL 9006 - RAL 9005 - RAL 9010 - RAL 9016    |
| <b>Housing</b>                       | Aluminum Extrusion                           |
| <b>Optics</b>                        | 15° 30° 40° Reflector & Transparent Diffuser |
| <b>Light Source</b>                  | LED                                          |
| <b>Electrical Protection Class</b>   | CLASS II                                     |
| <b>IP</b>                            | 65                                           |
| <b>IK</b>                            | 03                                           |
| <b>Operating Temperature</b>         | -20°C / +40°C                                |
| <b>Luminous Flux</b>                 | 819                                          |
| <b>Consumption Power</b>             | 9                                            |
| <b>Luminaire Efficiency</b>          | 91 lm/W                                      |
| <b>Color Rendering (CRI)</b>         | >80                                          |
| <b>Light Color Temperature (CCT)</b> | 2700K/3000K/4000K/6500K                      |
| <b>Color Tolerance</b>               | < 3 SDCM                                     |
| <b>Driver Type</b>                   | On/Off                                       |
| <b>Driver Brand</b>                  | Tridonic                                     |
| <b>LED Brand</b>                     | Samsung                                      |
| <b>Input Voltage / Frequency</b>     | 220-240 V AC 50/60 Hz                        |
| <b>Power Factor</b>                  | >0.9                                         |
| <b>Surge</b>                         | 1kV                                          |
| <b>THD (AKIM)</b>                    | >%20                                         |
| <b>LED life</b>                      | >100.000 hours                               |
| <b>Option</b>                        | On-Off / Dali / 1-10V / With Emergency Kit   |

Technical Drawing



Photometric Curve

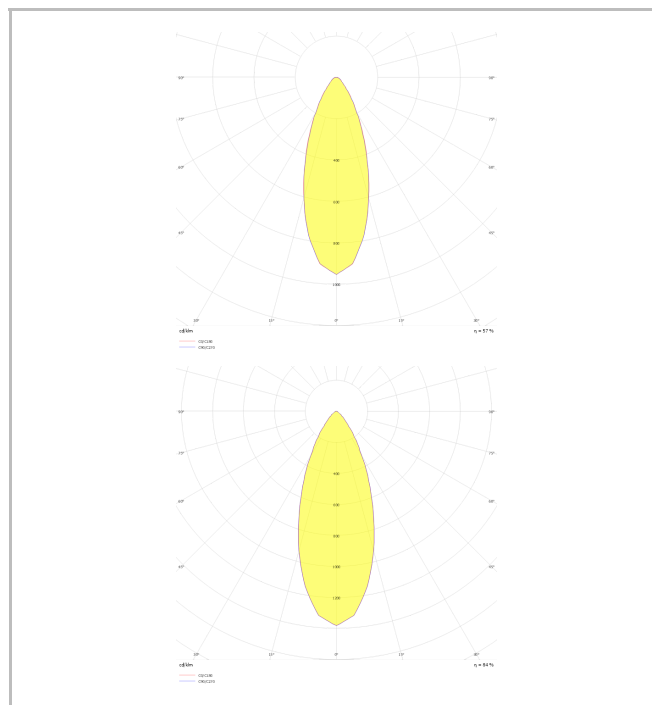
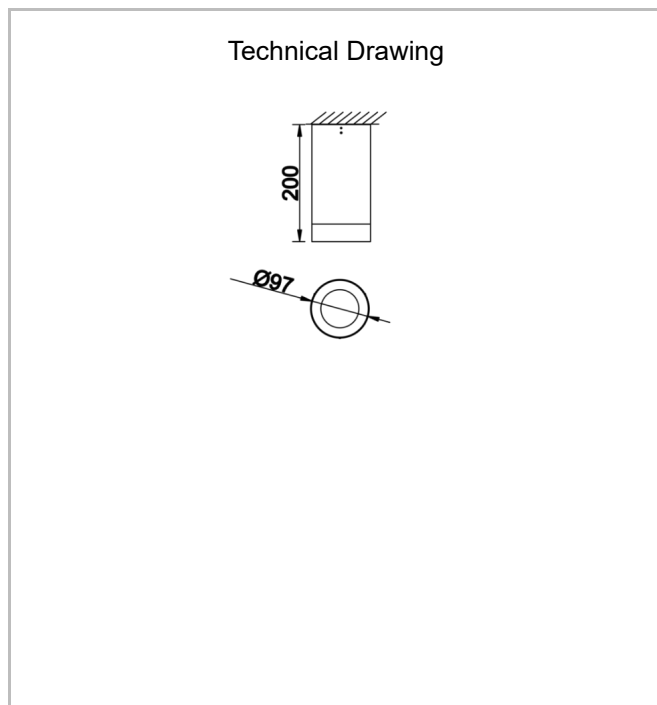


# Dif M

DIF 010 020 009S 8040 10 15 SD 65 00



Surface Mounted Luminary



| SKU | Product Code                         | Power (W) | Luminous Flux (LM) | CRI | CCT (K) | Optics        | Dimensions (mm) |
|-----|--------------------------------------|-----------|--------------------|-----|---------|---------------|-----------------|
|     | DIF 010 020 009S 8040 10 15 SD 65 00 | 9         | 819                | >80 | 4000    | 15° Reflector | Ø97x200         |