

Loopy

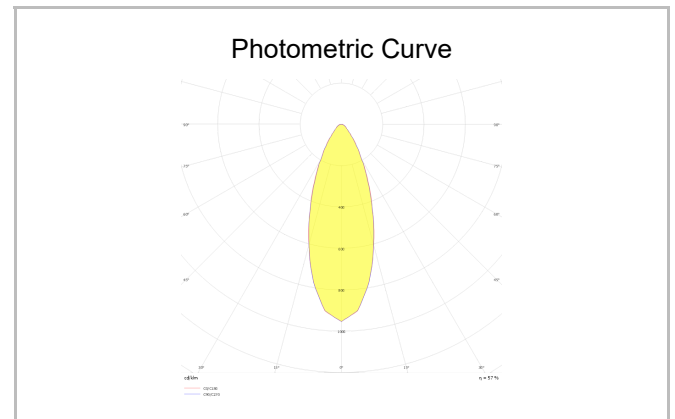
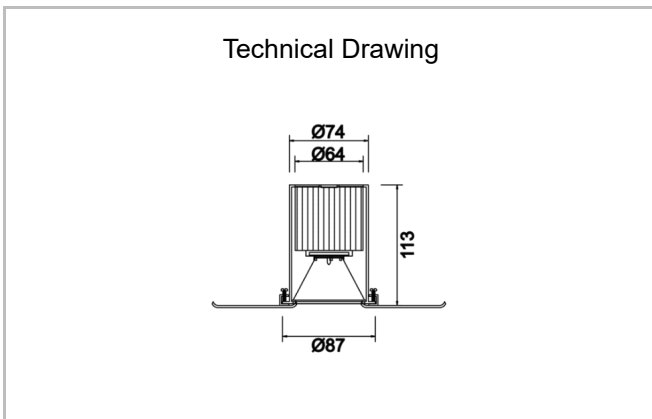
LPY 008 011 013B 8040 10 30 SD 20 00



Recessed Concept Ceiling Luminary



Luminaire Group	Concept Ceiling
Mounting Type	Recessed
Luminaire Color	RAL 9005 - RAL 9010 - RAL 9006
Housing	Aluminum DKP Sheet
Optics	Reflector
Electrical Protection Class	CLASS II
Operating Temperature	-20°C / +40°C
Luminous Flux	1170
Consumption Power	13
Luminaire Efficiency	90 lm/W
Color Rendering (CRI)	>80
Light Color Temperature (CCT)	2700K/3000K/4000K/6500K
Color Tolerance	< 3 SDCM
Driver Type	On/Off
Driver Brand	Tridonic
LED Brand	Samsung
Input Voltage / Frequency	220-240 V AC 50/60 Hz
Power Factor	>0.9
Surge	1kV
THD (AKIM)	>%20
LED life	>100.000 hours
Option	On-Off / Dali / 1-10V / With Emergency Kit



SKU	Product Code	Power (W)	Luminous Flux (LM)	CRI	CCT (K)	Optics	Dimensions (mm)
	LPY 008 011 013B 8040 10 30 SD 20 00	13	1170	>80	4000	30° Reflector	Ø87x113

www.atellighting.com