

Offline S

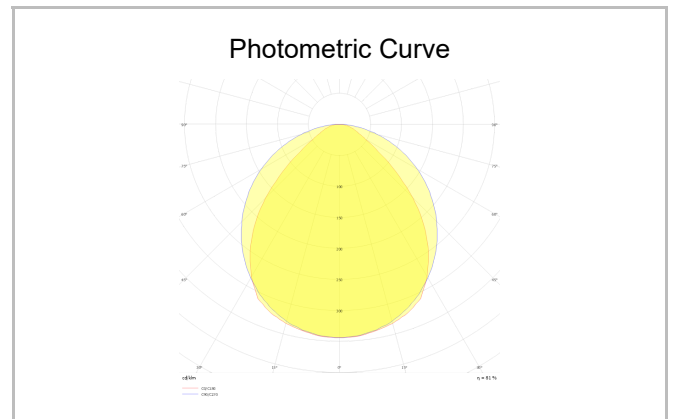
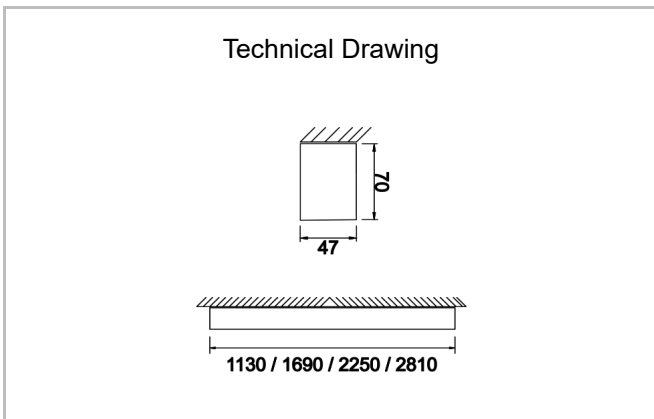
OFL 047 225 050S 8040 10 99 OP 40 TK



Surface Mounted Linear Luminary



| | |
|--------------------------------------|---------------------------|
| Luminaire Group | Linear |
| Mounting Type | Surface Mounted |
| Luminary Color | RAL 9016 - RAL 9010 |
| Housing | Aluminum extruded profile |
| Optics | Opal Diffuser |
| Light Source | LED |
| Electrical Protection Class | CLASS II |
| IP | 40 |
| IK | 03 |
| Operating Temperature | -20°C / +40°C |
| Luminous Flux | 3500 |
| Consumption Power | 50 |
| Luminaire Efficiency | 70 lm/W |
| Color Rendering (CRI) | >80 |
| Light Color Temperature (CCT) | 2700K/3000K/4000K/6500K |
| Color Tolerance | < 3 SDCM |
| Driver Type | On/Off |
| Driver Brand | Tridonic |
| LED Brand | Samsung |
| Input Voltage / Frequency | 220-240 V AC 50/60 Hz |
| Power Factor | >0.9 |
| Surge | 1kV |
| THD (AKIM) | >%20 |
| LED life | >70.000 hours |



| SKU | Product Code | Power (W) | Luminous Flux (LM) | CRI | CCT (K) | Optics | Dimensions (mm) |
|-----|--------------------------------------|-----------|--------------------|-----|---------|-------------|-----------------|
| | OFL 047 225 050S 8040 10 99 OP 40 TK | 50 | 3500 | >80 | 4000 | 120° / Opal | 2250x47x70 |